



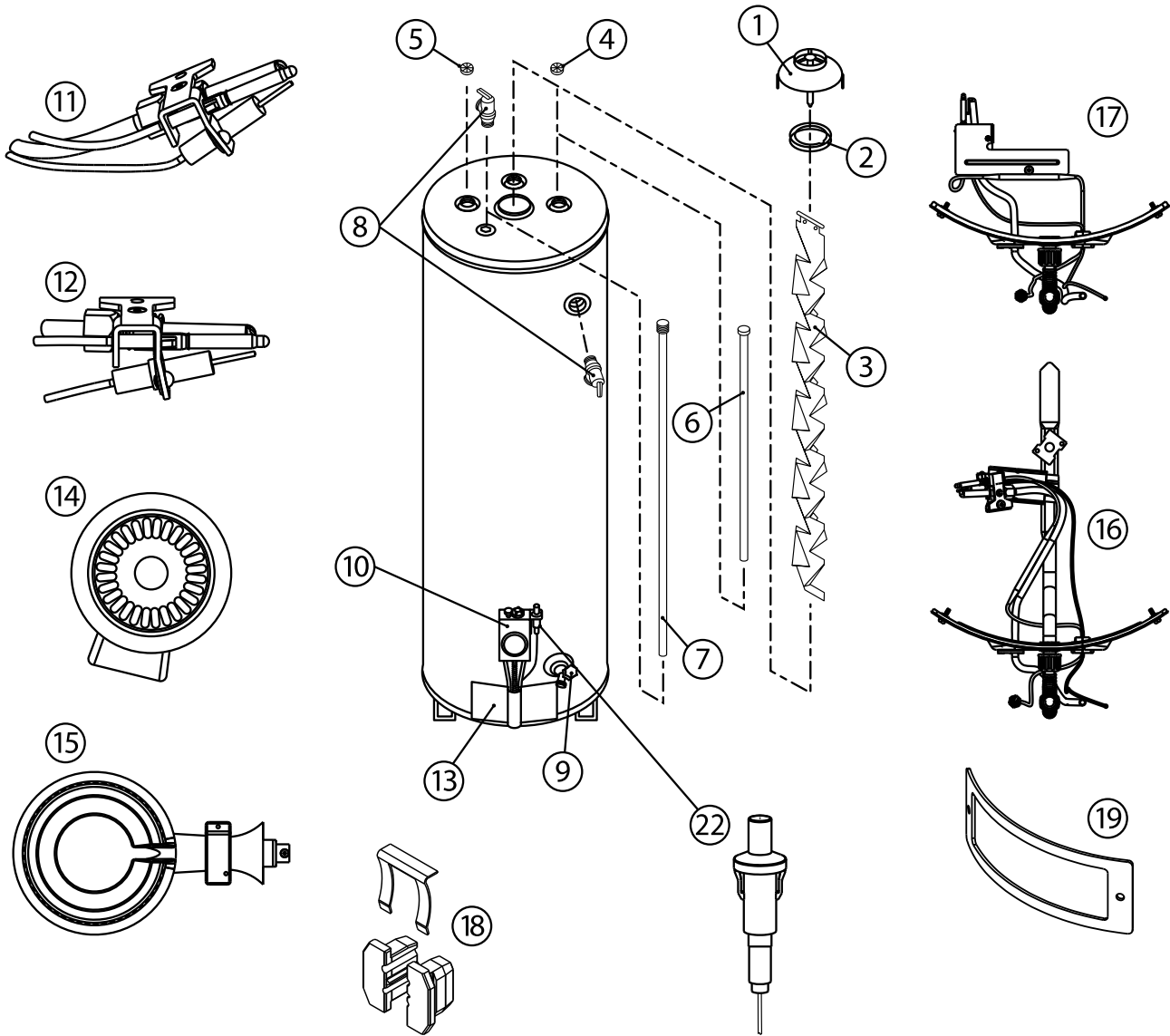
Alternate anode location for top T & P

Anode location for side T & P



# Flame Guard® Replacement Parts

## Replacement Parts Illustration



## Replacement Parts List

No.	Part Name and Description	No.	Part Name and Description
1	Drafthood	12	Pilot Assembly (propane)
2	Reducer Ring (some models)	13	Outer Door
3	Flue Baffle	14	Burner (natural gas/low NOx)
4	Heat Trap (cold)	15	Burner (propane)
5	Heat Trap (hot)	16	Manifold Door Assembly (natural gas)
6	Cold Water Dip Tube	17	Manifold Door Assembly (propane)
7	Anode Rod	18	Retainer Clip and Grommet
8	T&P Relief Valve (top or side)	19	Manifold Door Gasket
9	Drain Valve	20	Viewport Assembly (not shown)
10	Gas Valve/Thermostat	21	Thermocouple (not shown)
11	Pilot Assembly (natural gas)	22	Piezoelectric Igniter

## Flame Guard® Units with “FG” & “BFG” Model Number Prefixes

Item Number	Description	“FG” Prefix Part Number	“BFG” Prefix Part Number
4/5	Heat Trap Nipples	6900429	6900429
7	Anode Rod (30S30 & 40S40)	4710180	4710180
7	Anode Rod (30T30, 40T34, 40T40, 50T40 & 50T50)	4710182	4710182
8	T&P Relief Valve-Models with Prefix (B)FGx1	6900745	6900745
8	T&P Relief Valve-Models with Prefix (B)FGx2	6905041	6905041
9	Drain Valve	6900764	6900764
10	Gas Valve/Thermostat-Natural Gas w/Suffix N or NV		
	FGx1-30S30, 40S40, 40T34, 40T40 & 50T40	6910429	N/A
	FGx1-50T50	6910556	N/A
10	Gas Valve/Thermostat-Low NOx Natural Gas w/Suffix NO or NOV		
	(B)FGx1-30S30, 30T30, 40S40, 40T34, 40T40 & 50T40	6910555	6910794
	(B)FGx1-50T50	6910557	6910796
	(B)FGx2-40T40 & 50T40	6910559	6910795
	(B)FGx2-50T50	6910560	6910797
10	Gas Valve/Thermostat-Propane Gas w/Suffix P or PV		
	(B)FGx1-30S30, 30T30, 40S40, 40T34, 40T40, 50T40 & 50T50	6910554	6910830
	(B)FGx2-40T40, 50T40, & 50T50	6910558	6910831
11	Pilot Assembly (Natural Gas)	6910427	6910427
12	Pilot Assembly (Propane Gas)	6910561	6910561
16	Manifold Door Assembly (Natural Gas & Low NOx Models)		
	(B)FGxx-30T30	6910573	6910800
	(B)FGxx-30S30	6910576	6910801
	(B)FGxx-40T34	6910575	6910802
	(B)FGxx-40T40	6910575	6910805
	(B)FGxx-40S40 & 50T50	6910580	6910804
	(B)FGxx-50T40	6910579	6910803
17	Manifold Door Assembly (Propane Gas)		
	(B)FGxx-30T30	6910574	6910826
	(B)FGxx-30S30	6910578	TBD
	(B)FGxx-40T34	6910577	TBD
	(B)FGxx-40T40	6910577	6910828
	(B)FGxx-40S40 & 50T50	6910581	6910827
	(B)FGxx50T40	6910581	6910829
19	Manifold Door Gasket	6910424	6910424
20	Viewport Assembly-Round Sight Glass	6910428	6910428
20	Viewport Assembly-Square Sight Glass	6910806	6910806
21	Thermocouple-All Natural Gas Except 30T	6910564	6900725
21	Thermocouple-30T Natural Gas	6910565	6900725
21	Thermocouple-All Propane Gas	6910566	6900725
22	Piezoelectric Igniter	6910430	6910430

**When ordering repair parts, always give the following information:**

- Model, serial and product number
- Parts Item number
- Type of gas
- Parts description

**Order Entry and Sales**

500 Princeton Road (FedEx, UPS)  
Johnson City, TN 37601-2030  
P.O. Box 4056 (Mailing)  
Johnson City, TN 37602-4056  
Hours of Operation:  
Monday-Friday 8:00 a.m. - 6:30 p.m. EST  
(800) 937-1037 Fax: (800) 581-7224

**Warranty and Service Support**

500 Princeton Road (FedEx, UPS)  
Johnson City, TN 37601-2030  
P.O. Box 1597 (Mailing)  
Johnson City, TN 37605

**Residential Product Service and Support**

Hours of Operation:  
Monday 8:00 a.m. - 7:00 p.m. EST  
Tuesday-Friday 8:00 a.m. - 8:00 p.m. EST  
Saturday 9:00 a.m. - 6:00 p.m. EST  
(800) 999-9515 Fax: (800) 999-5210

**Commercial Product Service and Support**

Hours of Operation:  
Monday 8:00 a.m. - 7:00 p.m. EST  
Tuesday-Friday 8:00 a.m. - 8:00 p.m. EST  
Saturday - On Call  
(800) 456-9805 Fax: (800) 999-5210

**Warranty Claims**

Hours of Operation:  
Monday-Friday 8:00 a.m. - 5:00 p.m. EST  
(800) 999-5052 Fax: (800) 999-5210

**General Information**

Hours of Operation:  
Monday-Friday 8:00 a.m. - 5:00 p.m. EST  
(423) 283-8000 Fax: (423) 283-8050

**International Sales**

Hours of Operation:  
Monday-Friday 8:00 a.m. - 5:00 p.m. EST  
(423) 283-8062 or (423) 283-8176  
Fax: (423) 283-8137

**Literature Fulfillment/Promotional Items**

Hours of Operation:  
Monday-Friday 8:00 a.m. - 5:00 p.m. EST  
(423) 232-2477 Fax: (423) 232-2480

**Credit/Collections**

Hours of Operation:  
Monday-Friday 8:00 a.m. - 5:00 p.m. EST  
(423) 434-1681 Fax: (423) 975-2457

Visit our Website at  
[www.americanwaterheater.com](http://www.americanwaterheater.com)