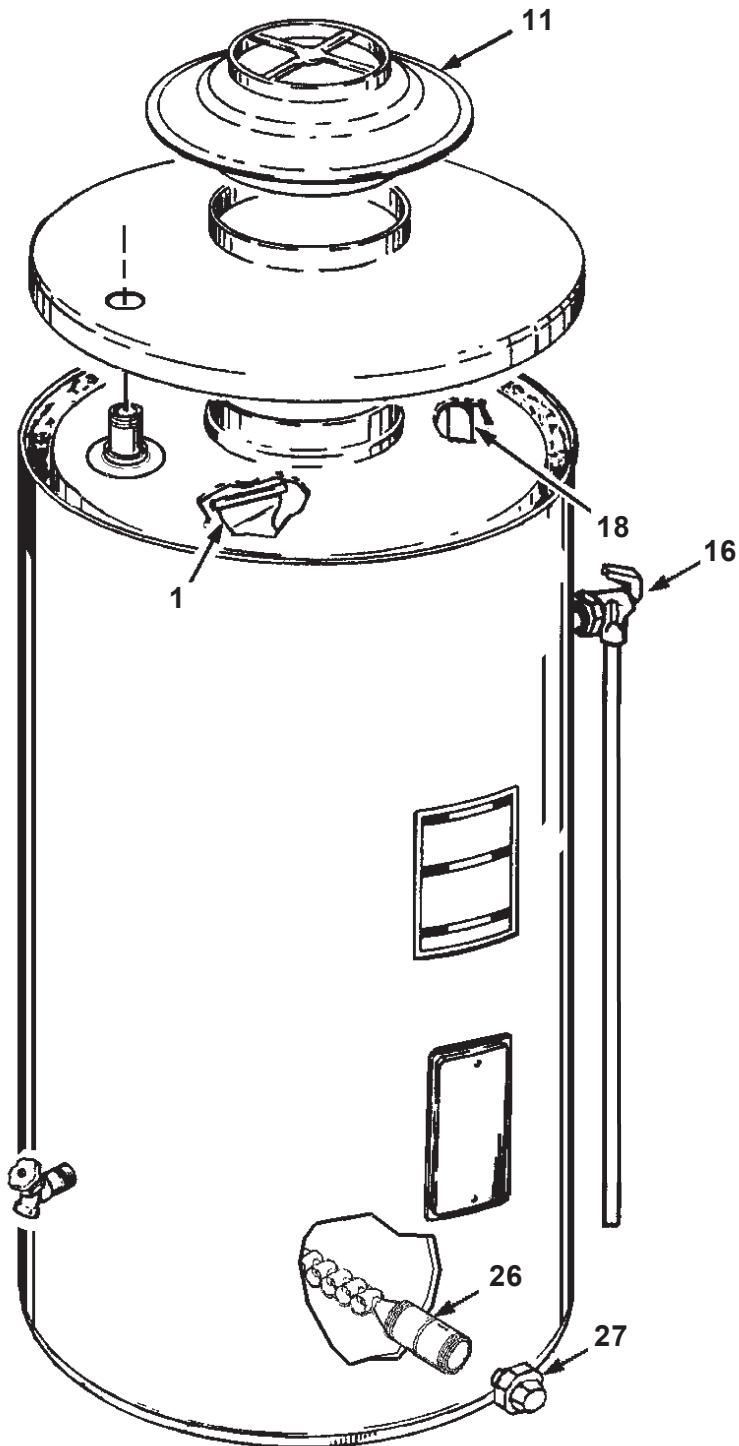
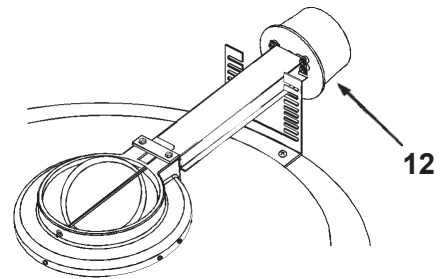


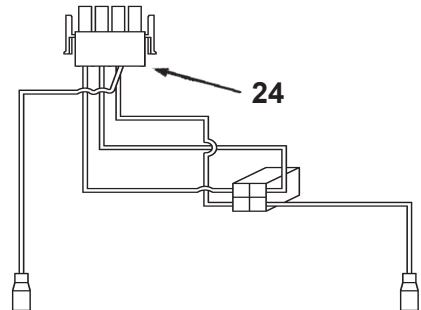
**COMMERCIAL TANK TYPE WATER HEATER  
REPLACEMENT PARTS LIST  
MODELS BCG3 & ABCG3 (ASME)  
SERIES 118, 119**



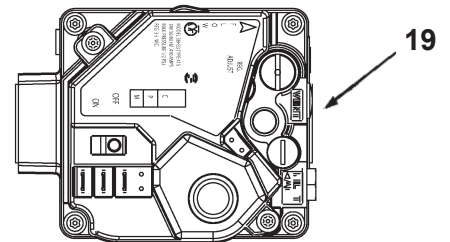
**Damper Drive Assembly**



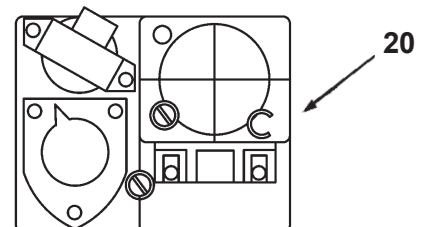
**Harness - Control**

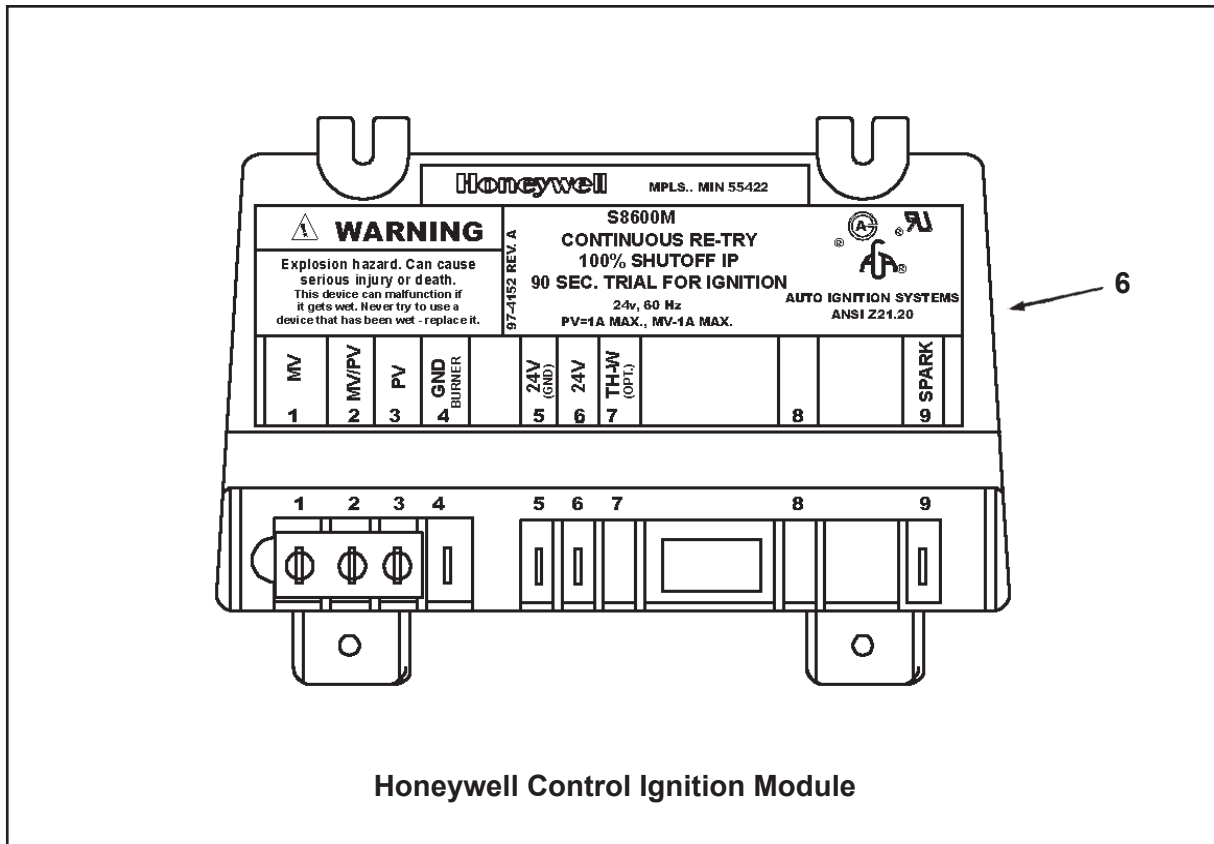
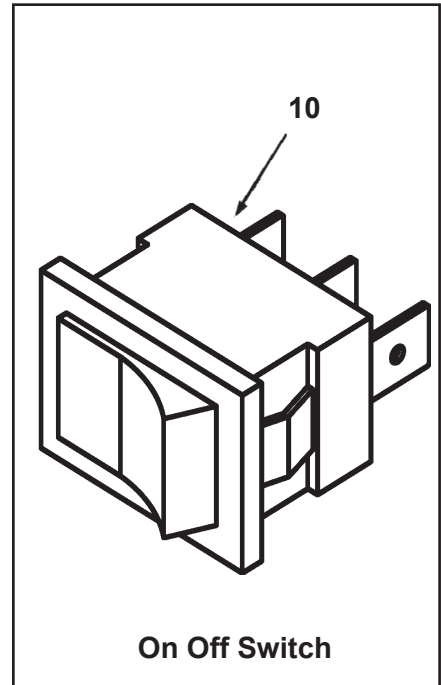
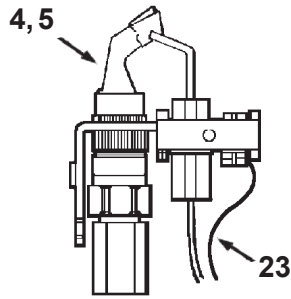
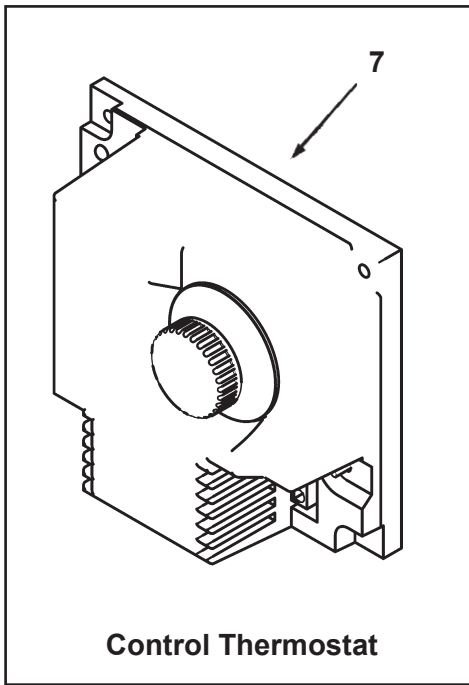


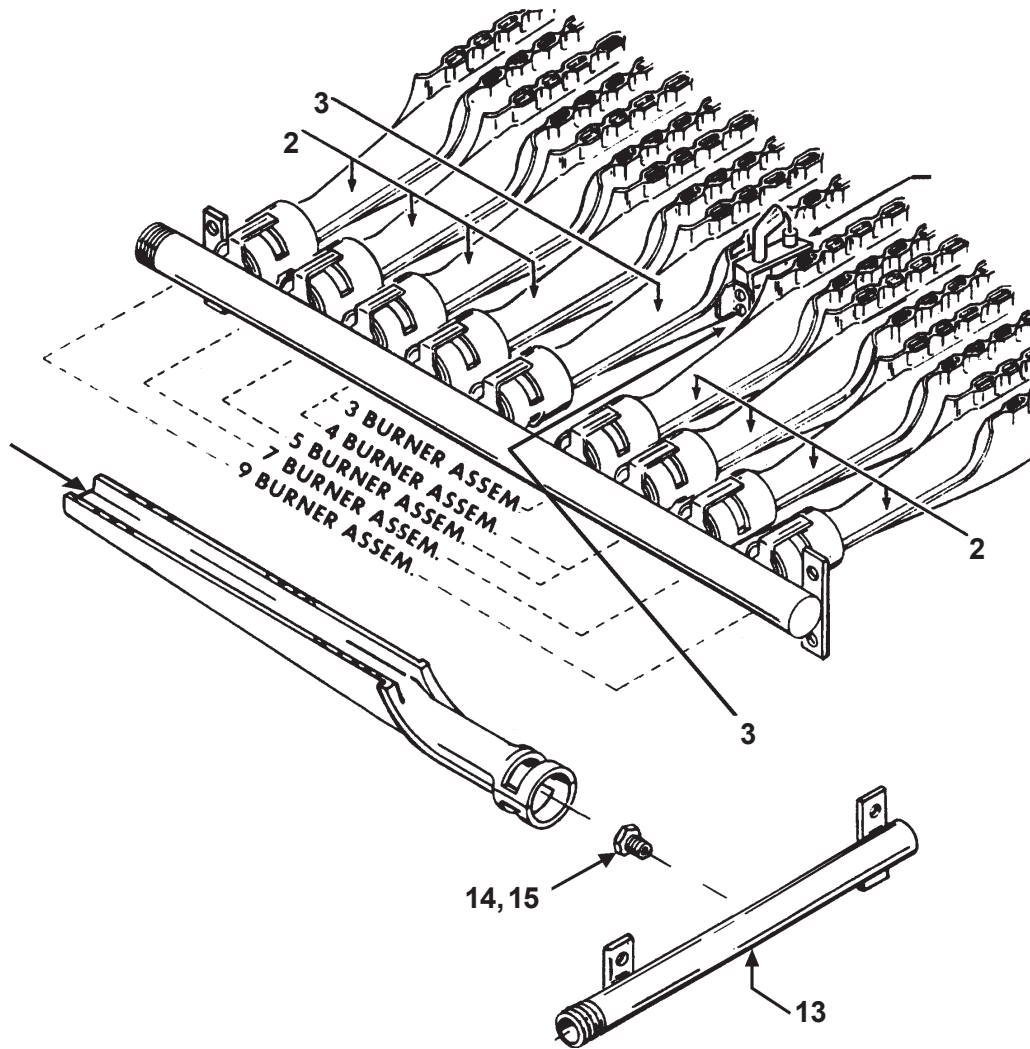
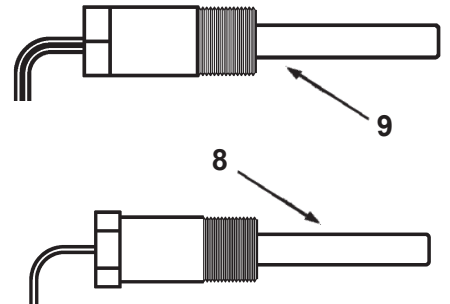
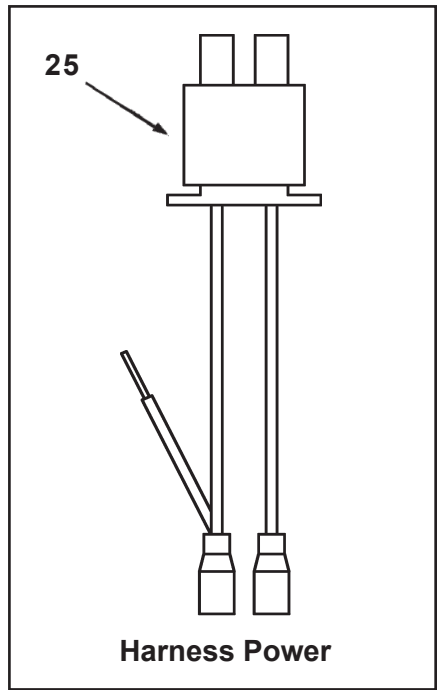
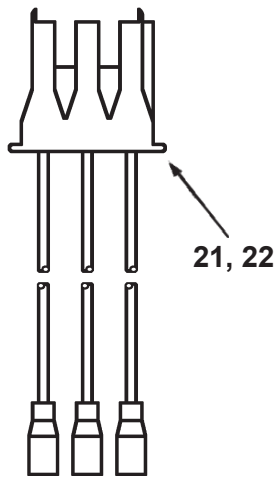
**Gas Valve - Natural**



**Gas Valve - LP**







ITEM	PARTS DESCRIPTION	BCG370T1205_	BCG380T1506_	BCG380T1806_	BCG3100T199_
1.....	Flue Baffle.....	9005288205.....	9005284205.....	9005823205.....	9005289205
2.....	Main Burner.....	9005889205.....	9005889205.....	9005889205.....	9005889205
3.....	Main Burner w/Pilot Bracket.....	9005291205.....	9005291205.....	9005291205.....	9005291205
4.....	Pilot Burner, Natural.....	9004541215.....	9004541215.....	9004541215.....	9004541215
5.....	Pilot Burner, LP.....	9004542215.....	9004542215.....	9004542215.....	9004542215
6.....	Control, Ignition Module.....	9004544205.....	9004544205.....	9004544205.....	9004544205
7.....	Control Thermostat.....	9004570205.....	9004570205.....	9004570205.....	9004570205
8.....	Lower Probe.....	9006048205.....	9006048205.....	9006048205.....	9006048205
9.....	Upper Probe.....	9006047205.....	9006047205.....	9006047205.....	9006047205
10.....	On/OffSwitch.....	9005929215.....	9005929215.....	9005929215.....	9005929215
11.....	Draffhood.....	9006045205.....	9006061205.....	9005934205.....	9005934205
12.....	Damper Drive Assembly.....	9005994105.....	9005994105.....	9005994105.....	9005994105
13.....	Manifold.....	9006049205.....	9006049205.....	9006062205.....	9006062205
14.....	Main Burner Orifice - Natural.....	9005896215.....	9005896215.....	9006070215.....	9005896215
15.....	Main Burner Orifice - LP.....	9005896215.....	9006073215.....	9006075215.....	9005896215
16.....	T&P Relief Valve.....	9005899205.....	9005899205.....	9005899205.....	9005899205
17.....	Pilot Tubing.....	9003925015.....	9003925015.....	9003925015.....	9003925015
18.....	Inlet Tube.....	9006046205.....	9006044205.....	9006046205.....	9006044205
19.....	Gas Valve - Natural.....	9006055205.....	9006055205.....	9006055205.....	9006055205
20.....	Gas Valve - LP.....	9006059205.....	9006059205.....	9006059205.....	9006059205
21.....	Harness-Gas Valve Natural.....	9006056215.....	9006056215.....	9006056215.....	9006056215
22.....	Harness - Gas Valve LP.....	9006067215.....	9006067215.....	9006067215.....	9006067215
23.....	Ground Wire.....	9004991215.....	9004991215.....	9004991215.....	9004991215
24.....	Harness - Control.....	9006057215.....	9006057215.....	9006057215.....	9006057215
25.....	Harness - Power.....	9006058215.....	9006058215.....	9006058215.....	9006058215
26.....	The Eliminator.....	9006051205.....	9006051205.....	9006050205.....	9006050205
27.....	Galvanized Pipe Union, 1-1/2".....	9006053205.....	9006053205.....	9006053205.....	9006053205

ITEM	PARTS DESCRIPTION	BCG380T1996_	(A)BCG3100T2006_	(A)BCG3100T2506_	(A)BCG365T2508_
1	Flue Baffle .....	9005823205 .....	9005293205 .....	9005288205 .....	9005288205 .....
2	Main Burner .....	9005889205 .....	9005889205 .....	9005889205 .....	9005889205 .....
3	Main Burner w/Pilot Bracket .....	9005291205 .....	9005291205 .....	9005291205 .....	9005291205 .....
4	Pilot Burner, Natural .....	9004541215 .....	9004541215 .....	9004541215 .....	9004541215 .....
5	Pilot Burner, LP.....	9004542215 .....	9004542215 .....	9004542215 .....	9004542215 .....
6	Control, Ignition Module.....	9004544205 .....	9004544205 .....	9004544205 .....	9004544205 .....
7	Control Thermostat.....	9004570205 .....	9004570205 .....	9004570205 .....	9004570205 .....
8	Lower Probe .....	9006048205 .....	9006048205 .....	9006048205 .....	9006048205 .....
9	Upper Probe .....	9006047205 .....	9006047205 .....	9006047205 .....	9006047205 .....
10	On/OffSwitch .....	9005929215 .....	9005929215 .....	9005929215 .....	9005929215 .....
11	Drafthood.....	9005934205 .....	9005934205 .....	9005926205 .....	9005926205 .....
12	Damper Drive Assembly .....	9005994105 .....	9005994105 .....	9005995105 .....	9005995105 .....
13	Manifold .....	9006062205 .....	9006062205 .....	9006062205 .....	9006063205 .....
14	Main Burner Orifice - Natural.....	9005896215 .....	9005896215 .....	9005896215 .....	9006069215 .....
15	Main Burner Orifice - LP.....	9005896215 .....	9005896215 .....	9006072215 .....	9006075215 .....
16	T&P Relief Valve.....	9005899205 .....	9005899205 .....	9005903205 .....	9005903205 .....
17	Pilot Tubing.....	9003925015 .....	9003925015 .....	9003925015 .....	9003925015 .....
18	Inlet Tube.....	9006046205 .....	9006046205 .....	9006044205 .....	N/A
19	Gas Valve - Natural .....	9006055205 .....	9006055205 .....	9006055205 .....	9006055205 .....
20	Gas Valve - LP.....	9006059205 .....	9006059205 .....	9006059205 .....	9006059205 .....
21	Harness-Gas Valve Natural.....	9006056215 .....	9006056215 .....	9006056215 .....	9006056215 .....
22	Harness - Gas Valve LP .....	9006067215 .....	9006067215 .....	9006067215 .....	9006067215 .....
23	Ground Wire .....	9004991215 .....	9004991215 .....	9004991215 .....	9004991215 .....
24	Harness - Control .....	9006057215 .....	9006057215 .....	9006057215 .....	9006057215 .....
25	Harness - Power.....	9006058215 .....	9006058215 .....	9006058215 .....	9006058215 .....
26	The Eliminator .....	9006050205 .....	9006054205 .....	9006054205 .....	9006052205 .....
27	Galvanized Pipe Union, 1-1/2".....	9006053205 .....	9006065205 .....	9006065205 .....	9006053205 .....

ITEM	PARTS DESCRIPTION	(A)BCG3100T2758_	(A)BCG365T3008_	(A)BCG385T3608_	(A)BCG3100T3908_
1	Flue Baffle .....	9005152205 .....	9005288205 .....	9005289205 .....	9005294205 .....
2	Main Burner.....	9005889205 .....	9005912205 .....	9005889205 .....	9005912205 .....
3	Main Burner w/Pilot Bracket.....	9005291205 .....	9005291205 .....	9005291205 .....	9005291205 .....
4	Pilot Burner, Natural .....	9004541215 .....	9004541215 .....	9004541215 .....	9004541215 .....
5	Pilot Burner, LP .....	9004542215 .....	9004542215 .....	9004542215 .....	9004542215 .....
6	Control, Ignition Module .....	9004544205 .....	9004544205 .....	9004544205 .....	9004544205 .....
7	Control Thermostat .....	9004570205 .....	9004570205 .....	9004570205 .....	9004570205 .....
8	Lower Probe.....	9006048205 .....	9006048205 .....	9006048205 .....	9006048205 .....
9	Upper Probe.....	9006047205 .....	9006047205 .....	9006047205 .....	9006047205 .....
10	On/OffSwitch.....	9005929215 .....	9005929215 .....	9005929215 .....	9005929215 .....
11	Drafthood .....	9005926205 .....	9005926205 .....	9005926205 .....	9005926205 .....
12	Damper Drive Assembly.....	9005995105 .....	9005995105 .....	9005995105 .....	9005995105 .....
13	Manifold.....	9006062205 .....	9006063205 .....	9006064205 .....	9006064205 .....
14	Main Burner Orifice - Natural .....	9006068215 .....	9005896215 .....	9005896215 .....	9005896215 .....
15	Main Burner Orifice - LP.....	9006071215 .....	9006074215 .....	9005896215 .....	9006074215 .....
16	T&P Relief Valve .....	9005903205 .....	9005903205 .....	9005903205 .....	9005903205 .....
17	Pilot Tubing .....	9003925015 .....	9003925015 .....	9003925015 .....	9003925015 .....
18	Inlet Tube .....	9006044205 .....	N/A .....	9006044205 .....	9006044205 .....
19	Gas Valve - Natural.....	9006055205 .....	9006066205 .....	9006066205 .....	9006066205 .....
20	Gas Valve - LP .....	9006059205 .....	9004528205 .....	9004528205 .....	9004528205 .....
21	Harness-Gas Valve Natural.....	9006056215 .....	9006056215 .....	9006056215 .....	9006056215 .....
22	Harness - Gas Valve LP.....	9006067215 .....	9006067215 .....	9006067215 .....	9006067215 .....
23	Ground Wire.....	9004991215 .....	9004991215 .....	9004991215 .....	9004991215 .....
24	Harness - Control.....	9006057215 .....	9006057215 .....	9006057215 .....	9006057215 .....
25	Harness - Power .....	9006058215 .....	9006058215 .....	9006058215 .....	9006058215 .....
26	The Eliminator.....	9006054205 .....	9006052205 .....	9006050205 .....	9006054205 .....
27	Galvanized Pipe Union, 1-1/2" .....	9006065205 .....	9006053205 .....	9006053205 .....	9006065205 .....

# NOTES

