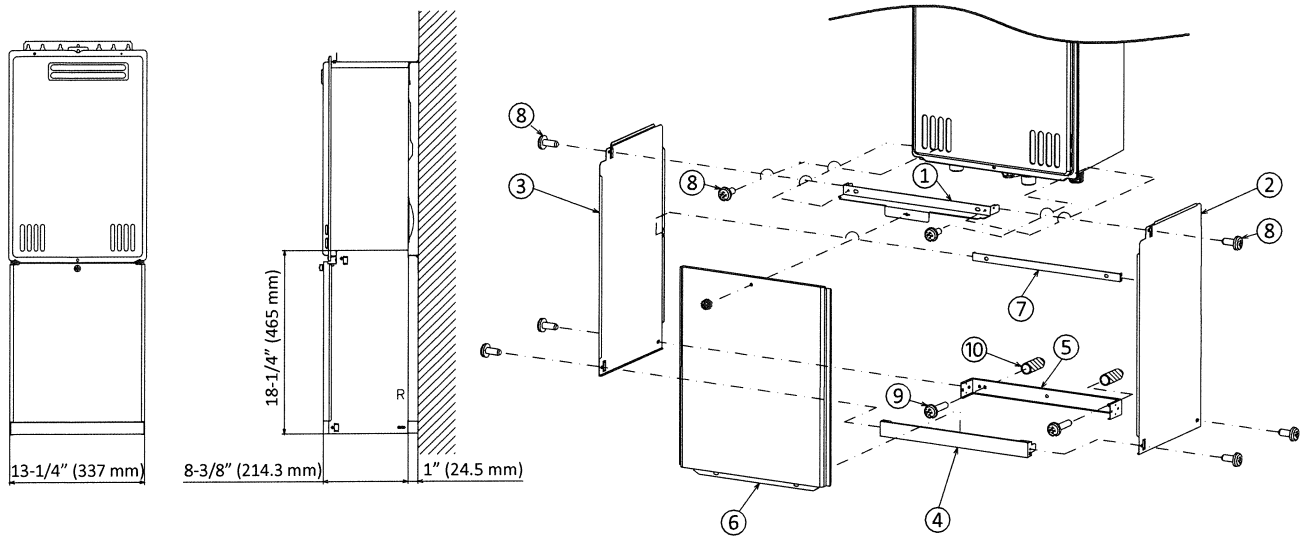


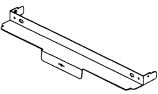
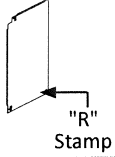
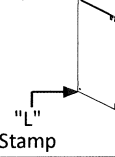
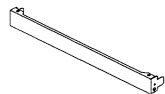
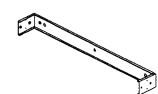
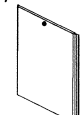
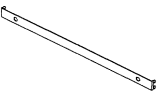
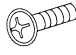
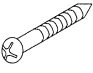

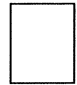
⑤ Pipe cover: 100324434 (TK-PC01)

INSTALLATION INSTRUCTIONS



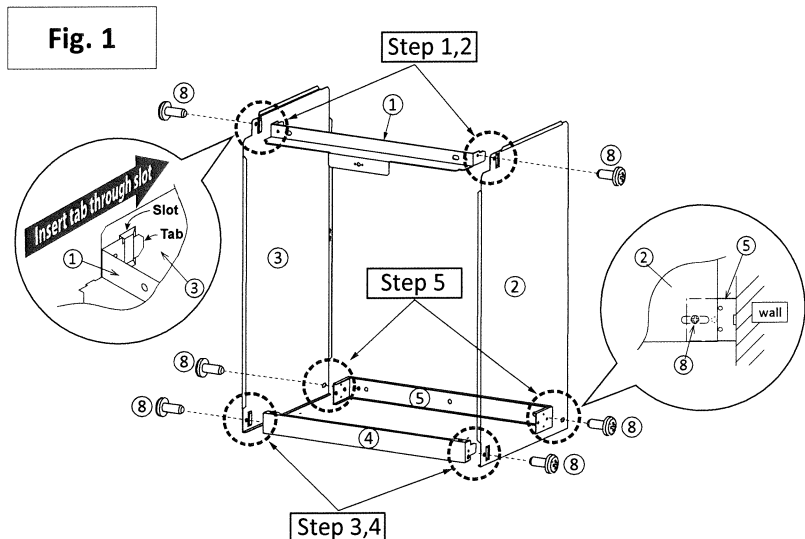
NOTE: This pipe cover is for 110U 200, 310U 200, 510U 200 indoor and outdoor models.

Items included Please ensure that your pipe cover includes the following items.

<p>① Top bracket (Qty: 1)</p> 	<p>② Right side cover (Qty: 1)</p>  <p>"R" Stamp</p>	<p>③ Left side cover (Qty: 1)</p>  <p>"L" Stamp</p>	<p>④ Bottom bracket (Qty: 1)</p> 	<p>⑤ Wall fixing plate (Qty: 1)</p> 	<p>⑥ Front cover (Qty: 1)</p> 
<p>⑦ Cover fixing plate (Qty: 1)</p> 	<p>⑧ Short screws (Qty: 8)</p> 	<p>⑨ Long screws (Qty: 2)</p> 	<p>⑩ Wall anchors (Qty: 2)</p> 	<p>⑪ Installation instructions (Qty: 1)</p> 	

Installation of the pipe cover

- Insert the tabs on the top bracket ① into the slots in the right and left side covers ②, ③ as shown on the right. The right and left side covers are stamped R and L, respectively.
- Secure the top bracket ① and the right and left side covers ②, ③ with the short screws ⑧.
- Insert the tabs on the bottom bracket ④ into the slots in the right and left side covers ②, ③ as shown on the right.
- Secure the bottom bracket ④ and the right and left side covers ②, ③ with the short screws ⑧.
- Secure the assembly to the wall fixing plate ⑤ with the short screws ⑧.



6. Locate the two mounting tabs at the bottom, front of the water heater.
7. Place the assembly's top bracket (1) BEHIND the mounting tabs at the bottom of the water heater. (See Fig. 3.)
8. Align the clearance holes, then secure the assembly with the short screws (8). (See Fig. 3.)
9. Mark the wall through both clearance holes in the fixing plate (5). (See Fig. 4.)
10. Remove the pipe cover assembly from the heater.
11. Drill screw holes (diameter $\phi 5/16''$) at each mark that you made during step 9. (Depth: 1.6-inches.)
12. Install the wall anchors (10) into the screw holes.
13. Reinstall the pipe cover assembly onto the water heater.
14. Secure the pipe cover assembly to the wall by installing the long screws (9) through the holes in the fixing plate (5).
15. Hang the cover fixing plate (7) on the inside of the assembly as shown in Fig. 4. The tabs on the cover fixing plate fit into the holes at the back, center of the right and left side covers (2), (3).
16. Install the front cover (6) onto the pipe cover assembly.
NOTICE: The bottom of the cover will fit BEHIND the bottom bracket.

Fig. 2

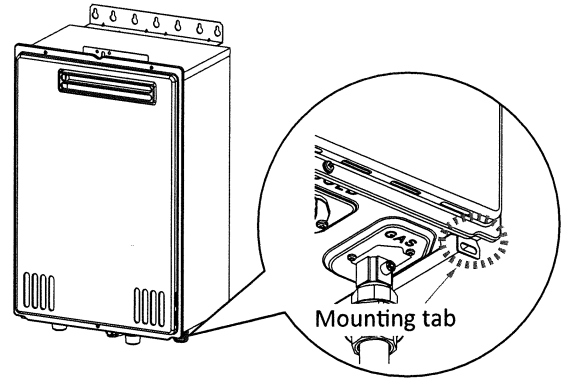


Fig. 3

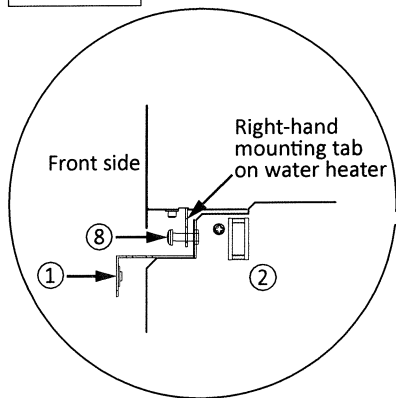


Fig. 4

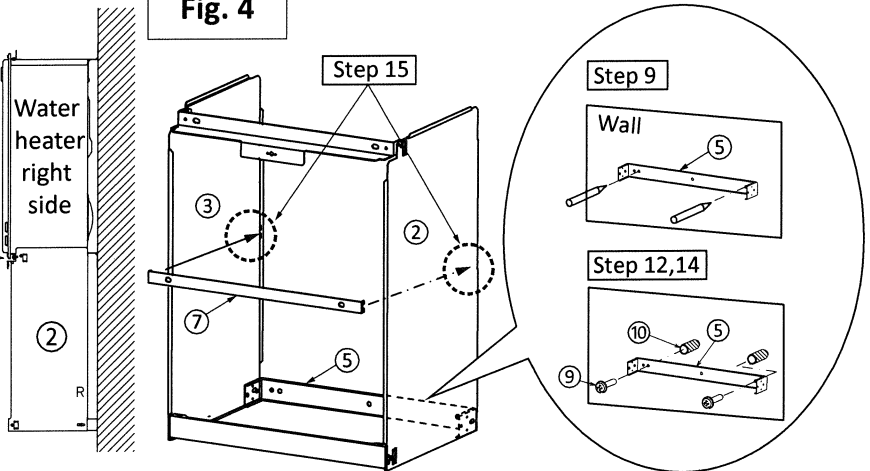
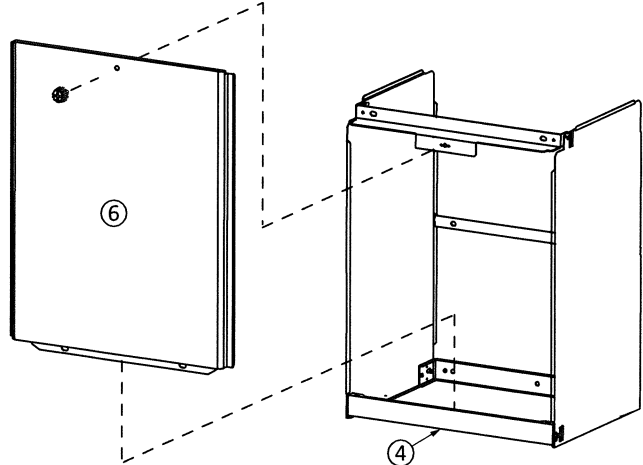


Fig. 5



NOTICE: The bottom of the cover will fit behind the bottom bracket.