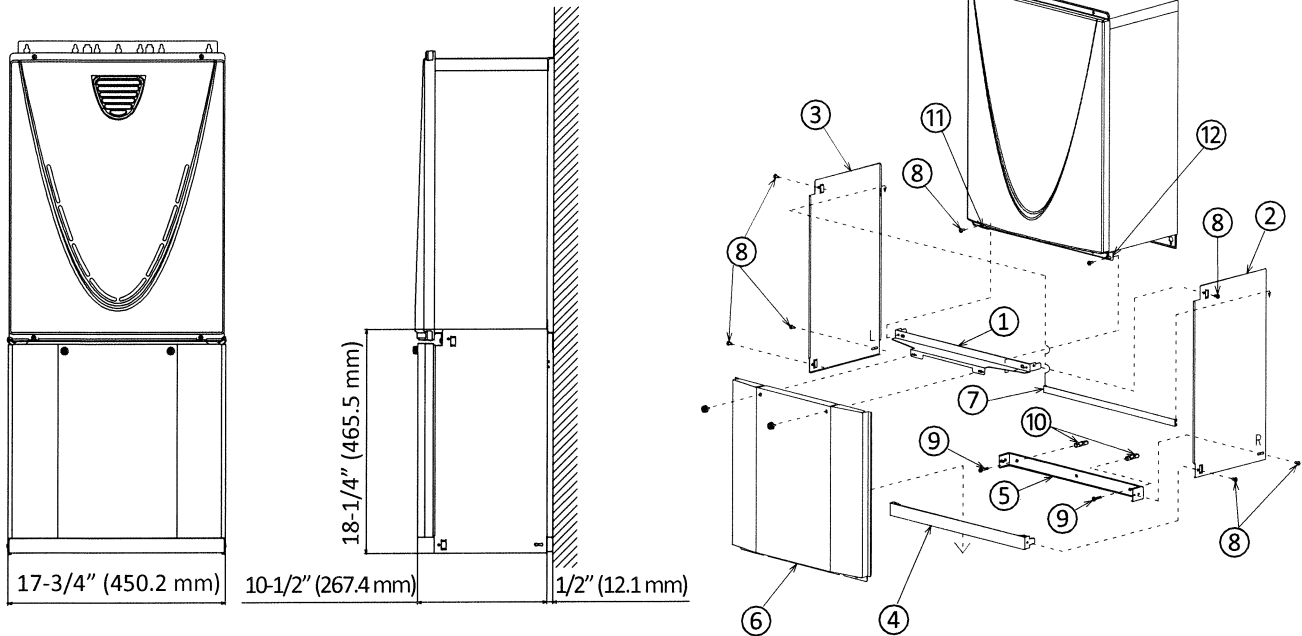


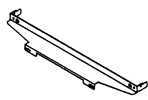
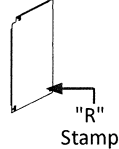
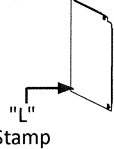
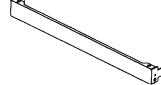
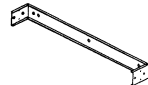
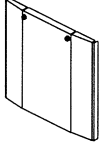


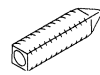
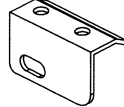
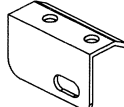
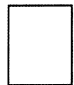

Pipe cover: 100112718 (TH-PC03)

INSTALLATION INSTRUCTIONS



NOTE: This pipe cover is for 240 (T-H3J-DV/OS), 340 (T-H3S-DV/OS), 540 (T-H3-DV/OS), 540P (T-H3P-DV/OS), and CT-199 (T-H3C-DV/OS).

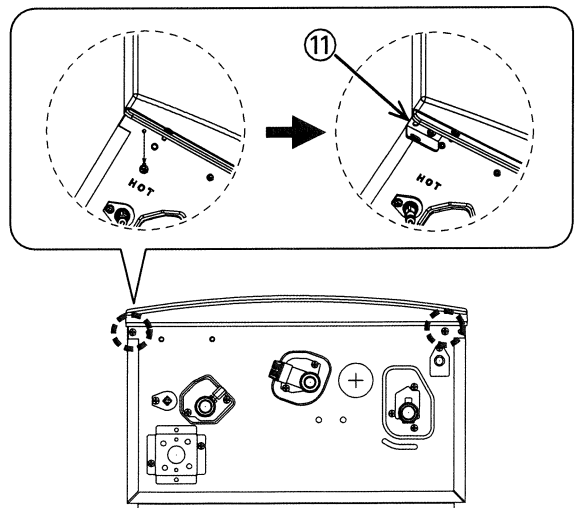
Items included Please ensure that your pipe cover includes the following items.

| | | | | | |
|--|---|--|---|--|---|
| <p>① Top bracket (Qty: 1)</p>  | <p>② Right side cover (Qty: 1)</p>  <p>"R" Stamp</p> | <p>③ Left side cover (Qty: 1)</p>  <p>"L" Stamp</p> | <p>④ Bottom bracket (Qty: 1)</p>  | <p>⑤ Wall fixing plate (Qty: 1)</p>  | <p>⑥ Front cover (Qty: 1)</p>  |
| <p>⑦ Cover fixing plate (Qty: 1)</p>  | <p>⑧ Short screws (Qty: 8)</p>  | <p>⑩ Wall anchors (Qty: 2)</p>  | <p>⑪ Left cover fixing plate (Qty: 1)</p>  | <p>⑫ Right cover fixing plate (Qty: 1)</p>  | <p>⑬ Installation instructions (Qty: 1)</p>  |
| | <p>⑨ Long screws (Qty: 2)</p>  | | | | |

Installation of the pipe cover

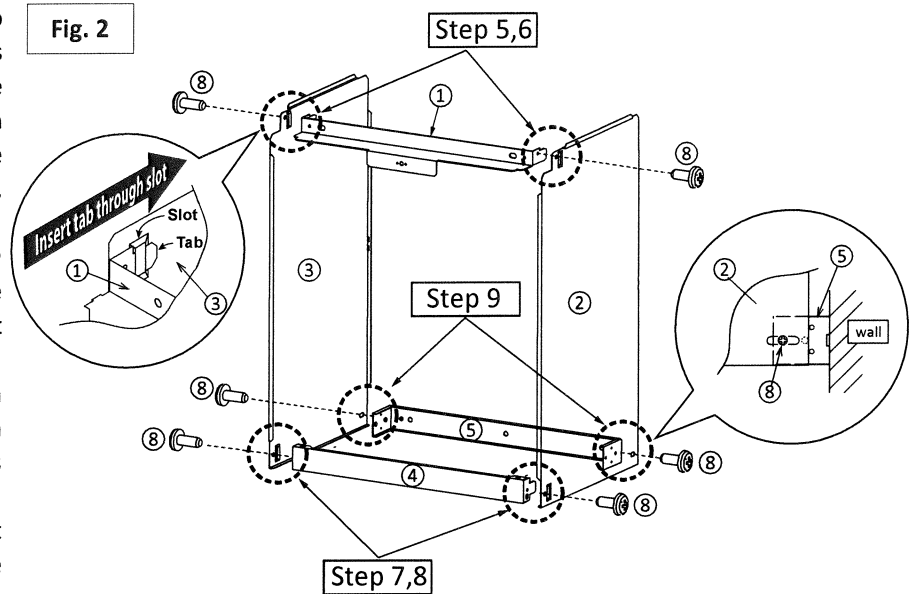
Fig. 1

1. Remove the screw on the bottom, left-hand side of the water heater case. (See Fig. 1.)
2. Attach the left cover fixing plate ⑪ to the bottom, left-hand side of the water heater. (See Fig. 1.) Use the screw that you removed during step 1.
3. Remove the screw on the bottom, right-hand side of the water heater case.
4. Attach the right cover fixing plate ⑫ to the bottom, right-hand side of the water heater. Use the screw that you removed during step 3.



- Insert the tabs on the top bracket ① into the slots in the right and left side covers ②, ③ as shown in Fig. 2. The right and left side covers are stamped R and L, respectively.

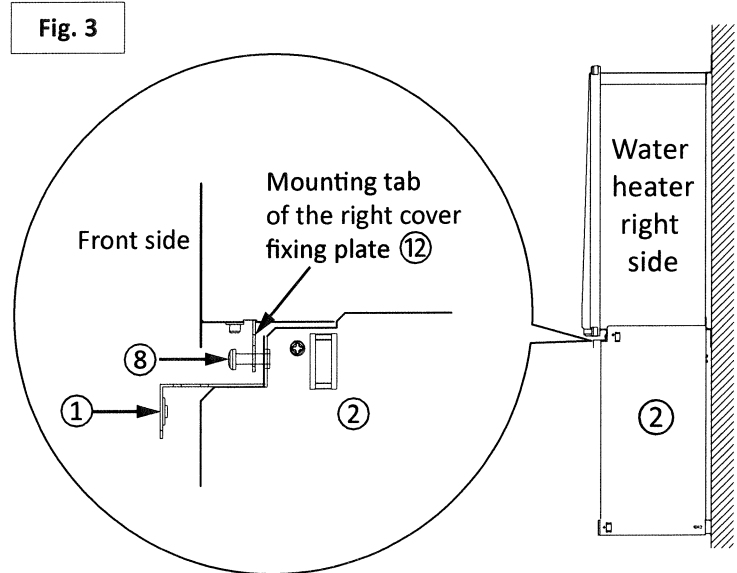
Fig. 2



- Secure the top bracket ① and the right and left side covers ②, ③ with the short screws ⑧.
- Insert the tabs on the bottom bracket ④ into the slots in the right and left side covers ②, ③ as shown in Fig. 2.
- Secure the bottom bracket ④ and the right and left side covers ②, ③ with the short screws ⑧.
- Secure the assembly to the wall fixing plate ⑤ with the short screws ⑧.

- Locate the mounting tabs on the cover fixing plates ⑪, ⑫ at the bottom, front of the water heater. (See Fig. 1 and 3.)

Fig. 3



- Place the assembly's top bracket ① BEHIND the mounting tabs at the bottom of the water heater. (See Fig. 3.)
- Align the clearance holes, then secure the assembly with the short screws ⑧.
- Mark the wall through both clearance holes in the fixing plate ⑤.
- Remove the pipe cover assembly from the heater.

- Drill screw holes (diameter $\phi 5/16''$) at each mark that you made during step 13. (Depth: 1.6-inches.)

- Install the wall anchors ⑩ into the screw holes.

- Reinstall the pipe cover assembly onto the water heater.

- Secure the pipe cover assembly to the wall by installing the long screws ⑨ through the holes in the fixing plate ⑤.

- Hang the cover fixing plate ⑦ on the inside of the assembly as shown in Fig. 4. The tabs on the cover fixing plate fit into the holes at the back, center of the right and left side covers ②, ③.

- Install the front cover ⑥ onto the pipe cover assembly.

NOTICE: The bottom of the cover will fit BEHIND the bottom bracket. (See Fig. 5.)

Fig. 4

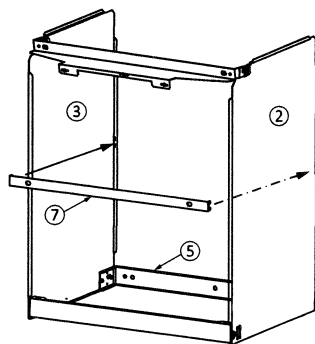
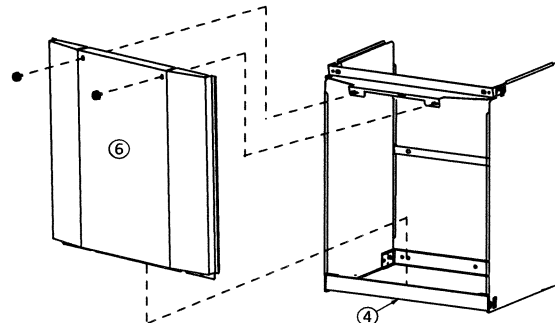


Fig. 5



NOTICE: The bottom of the cover will fit behind the bottom bracket.