

**5-Year Limited Tank/5-Year Limited Parts Warranty\***

## FACTORY JACKETED AND INSULATED STORAGE TANKS

These storage tanks are designed for storing potable water. Fitting locations are designed to meet the needs of normal installations.

American storage tanks are specifically designed for storing potable water at temperatures up to 180°F.

- **GLASSLINED TANK** - Alkaline borosilicate composition permanently fused to steel by firing at a temperature of 1600°F, providing years of corrosion protection and dependable use.
- **HEAVY GAUGE STEEL JACKET** - With baked enamel finish.
- **THREADED OPENINGS** - All tanks furnished with threaded openings for thermometer, relief valve, 2" recirculation lines, tankstat, and drain valve.
- **5-YEAR WARRANTY** - If the tank should leak any time during the first 5 years, under the terms of the warranty, American will repair or replace the tank. Installation, labor, handling and local delivery are extra. For complete information, consult the written warranty or contact American Water Heaters.
- **INSULATION** - Storage Tanks meet R12.5 minimum thermal insulation requirements of the U. S. Department of Energy and current edition of ASHRAE/IESNA 90.1.



### STJ5-80T, ASTJ-80T, STJV5-120T and STJV5-120A

- Fits through 30" door
- Magnesium anode for anti-corrosion protection

### ASTJ-80T

- 80 gallons
- Saves fuel, helps reduce standby heat loss
- 160 psi ASME standard working pressure

### ASTJV5-120T

- 119 gallons
- Saves fuel, helps reduce standby heat loss
- 160 psi ASME standard working pressure

### STJ5-80T

- 80 gallons
- 160 psi working pressure

### STJV5-120T

- 119 gallons
- 160 psi working pressure

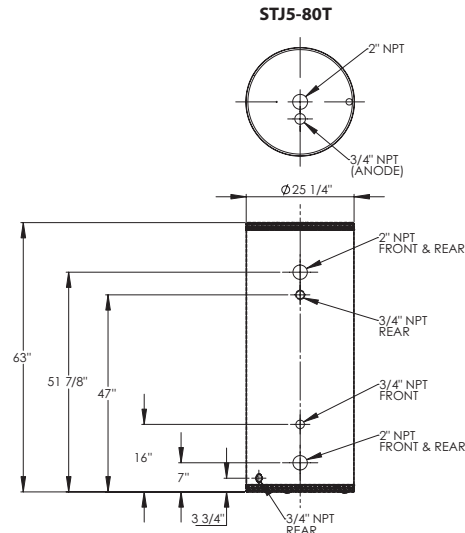
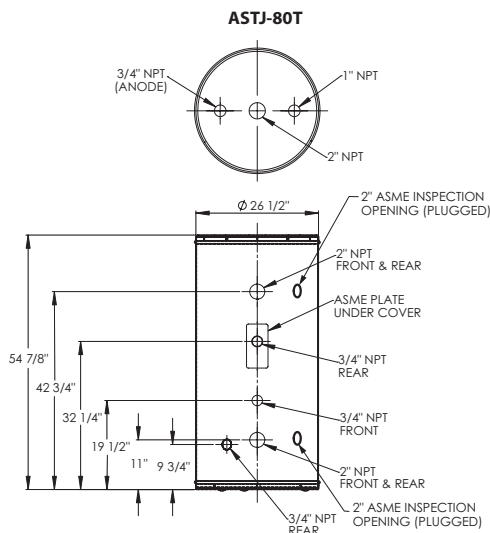
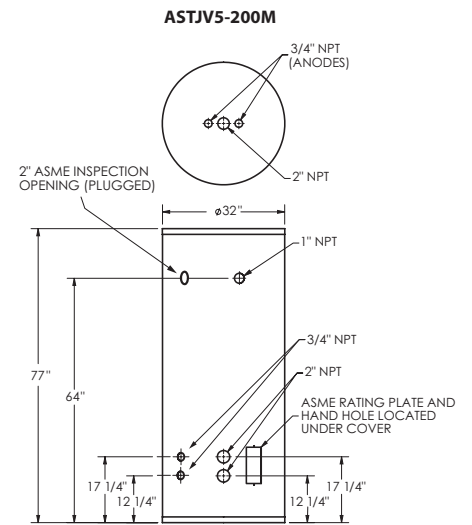
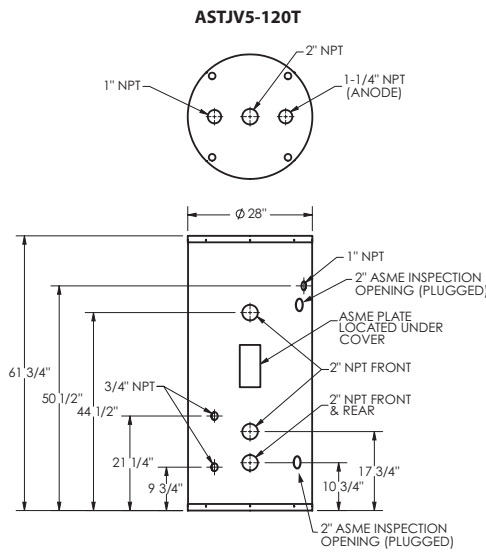
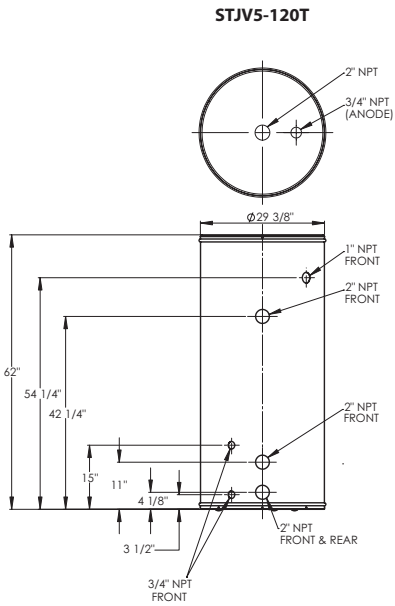
### ASTJV5-200M

- 175 gallons
- 160 psi ASME working pressure
- 2" foam insulation
- Handhole cleanout (Standard)
- Fits through 33" door
- Storage is downsized to 175 gallons for a 32" x 77" envelope for space restrictive installations
- Magnesium anodes for extra corrosion protection



**ASME**  
(FOR SELECT MODELS)

\*For complete warranty information consult the written warranty of American Water Heaters found at [www.americanwaterheater.com](http://www.americanwaterheater.com), or call (800) 999-9515.



## Specification

Storage tank shall be American glasslined storage tank. Tank shall be \_\_\_\_\_" x \_\_\_\_\_" and have a nominal capacity of \_\_\_\_ gallons. Tank(s) shall have threaded openings as shown on drawings. Interior of tank(s) shall be glasslined with an alkaline borosilicate composition which has been fused to the steel by firing at a temperature of 1600°F. Glass coating shall be continuous over the entire inner surface of the tank. Outer jacket shall have a baked enamel finish. Storage Tanks meet R12.5 minimum thermal insulation requirements of the U. S. Department of Energy and current edition of ASHRAE/IESNA 90.1. Cathodic protection shall be provided. Tank shall have a working pressure of \_\_\_\_ psi. Tank shall have a five-year limited warranty as outlined in the written warranty.

## Distributed By:

### Order Entry and Sales

500 Princeton Road (FEDEX, UPS)  
Johnson City, TN 37601-2030  
P. O. Box 4808 (Mailing)  
Johnson City, TN 37602-4808  
(800) 937-1037  
FAX (800) 581-7224

### Warranty and Service

500 Princeton Road (FEDEX, UPS)  
Johnson City, TN 37601-2030  
P. O. Box 1597 (Mailing)  
Johnson City, TN 37601  
(800) 456-9805  
FAX (800) 999-5210