

Instructions for Element Wrench Use

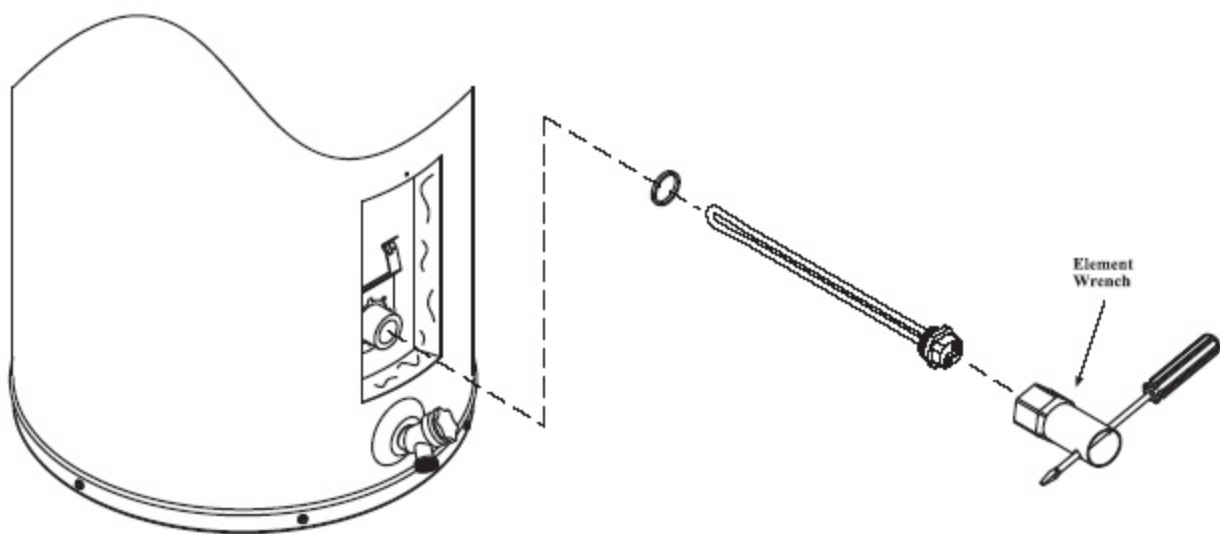
⚠ WARNING



Electrical Shock Hazard
Disconnect power before servicing.
Replace all parts and panels before operating.
Failure to do so can result in death or electrical shock.

Important Follow your water heater manufacturer's instruction manual for complete installation instructions. The following instructions should be performed by a licensed plumber.

- Drain the tank by following the manufacturer's instructions.
- Follow directions supplied with element kit.
- Before turning on the electrical supply, be certain that the tank is full of water. Applying electrical current to elements not submerged in water will destroy elements and void warranty.
- See manufacturer's installation manual for filling instructions.



1. Insert screwdriver through the provided holes.
2. Turn counterclockwise to loosen element.
3. Turn clockwise to tighten element.
4. Follow directions supplied with element kit.