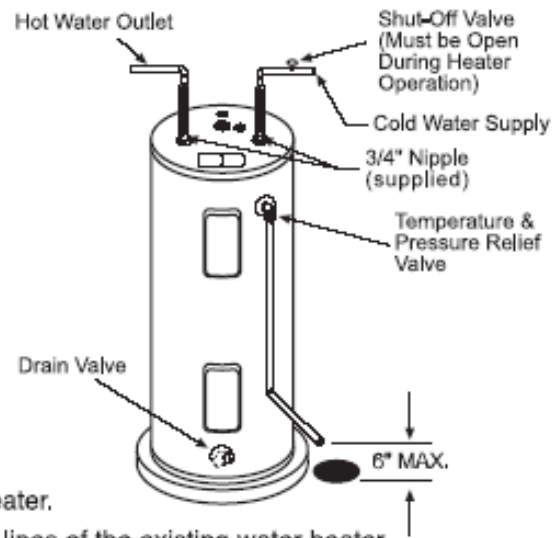


# Installation Instructions for the Water Heater Hook-up Kit

## Electric Water Heater

**Important:** Follow the procedures outlined in the water heater manufacturer's installation manual to correctly install this water heater.

<b>! WARNING</b>	
	<b>Electrical Shock Hazard</b>
	<b>Disconnect power before servicing.</b>
	<b>Replace all parts and panels before operating.</b>
	<b>Failure to do so can result in death or electrical shock.</b>



1. Disconnect power.
2. Disconnect the electrical supply line of the existing water heater.
3. Shut off water to the water heater and disconnect the water lines of the existing water heater.  
If water lines are copper, cut the cold water lines not more than 12" above top of new water heater. Compression fittings to connect flexible water lines to 3/4" copper tubing are supplied. For 1/2" copper tubing order part #6900737.

OR

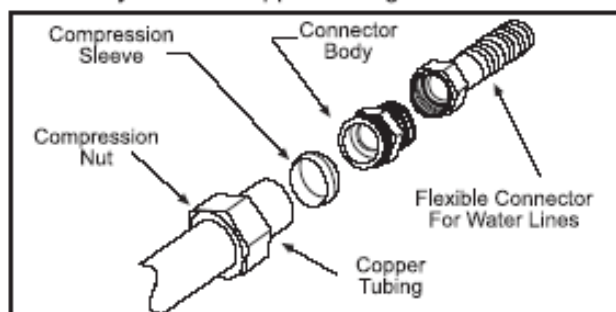
If water lines are threaded pipe, disconnect the old heater from the existing piping leaving male threaded ends not more than 12" above top of new heater.

4. Drain water heater following the water heater manufacturer's instructions.
5. Remove old water heater.
6. Place new heater in position, making sure that it is level. Reconnect water lines using the parts supplied in this kit. Follow the manufacturer's instructions in your owner's manual.
7. Screw a new and approved Temperature and Pressure relief valve (if not factory installed or supplied) into the threaded connection indicated on heater. Do not re-use a valve from old water heater.
8. Open a hot water faucet.
9. Following manufacturer's instructions, turn on the water supply to the water heater and fill tank. The open hot water faucet will permit air to be purged from tank. Close faucet when the water becomes a constant flow.
10. Check for leaks and tighten connections where necessary.

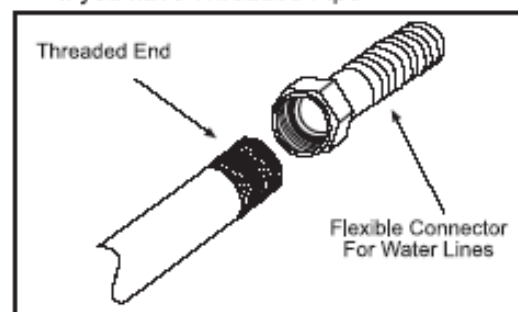
**Important:** Before turning on the electrical supply, be certain that tank is full of water. Applying electrical current to elements not submerged in water will destroy elements and void warranty. See manufacturer's installation manual for filling instructions.

11. Connect the electrical supply.

If you have Copper Tubing



If you have Threaded Pipe



## Gas Water Heater

**Important:** Follow the procedures outlined in the water heater manufacturer's installation manual to correctly install this water heater.

1. Turn off the gas supply. Disconnect gas supply between the top drip tee connection and the thermostat control valve.
2. Shut off water to the water heater and disconnect the water lines of the existing water heater.

If water lines are copper, cut the cold water lines not more than 12" above top of new water heater. Compression fittings to connect flexible water lines to 3/4" copper tubing are supplied. For 1/2" copper tubing order part #6900737.

OR

If water lines are threaded pipe, disconnect the old heater from the existing piping leaving male threaded ends not more than 12" above top of new heater.

3. Drain water heater following the water heater manufacturer's instructions.
4. Remove old water heater.
5. Place new heater in position, making sure that it is level. Reconnect water lines using the parts supplied in this kit. Follow the manufacturer's instructions in your owner's manual.
6. Screw a new and approved Temperature and Pressure relief valve (if not factory installed or supplied) into the threaded connection indicated on heater. Do not re-use a valve from old water heater.
7. Install gas piping per water heater manufacturer's instructions. Check for leaks using a chloride-free soap and water solution or other approved method.
8. Open a hot water faucet.
9. Following manufacturer's instructions, turn on the water supply to the water heater and fill the tank. The open hot water faucet will permit air to be purged from the tank. Close faucet when the water becomes a constant flow.
10. Check for leaks and tighten connections where necessary.

## ! WARNING



### Explosion Hazard

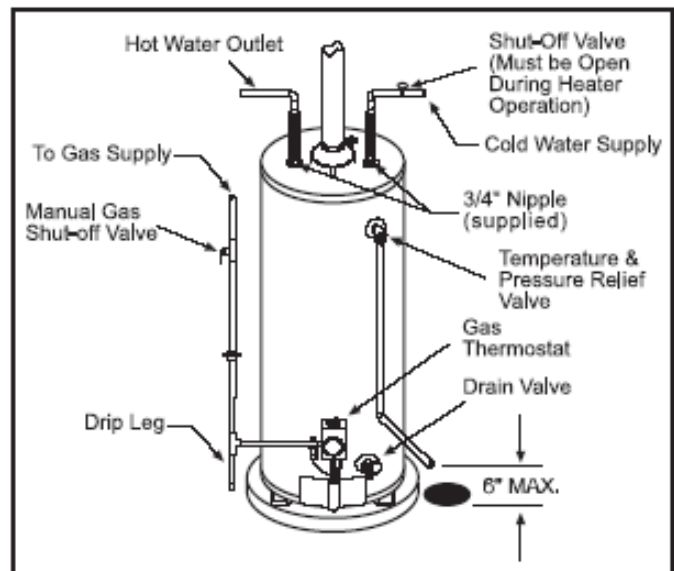
**Use a new AGA or CSA approved gas supply line.**

**Install a shut-off valve.**

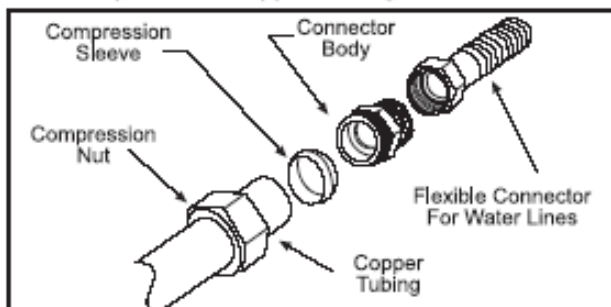
**Do not connect a natural gas water heater to a L.P. Gas Supply.**

**Failure to follow these instructions can result in death, explosion, or carbon monoxide poisoning.**

*OBSERVE ALL GOVERNING CODES AND ORDINANCES.*



### If you have Copper Tubing



### If you have Threaded Pipe

