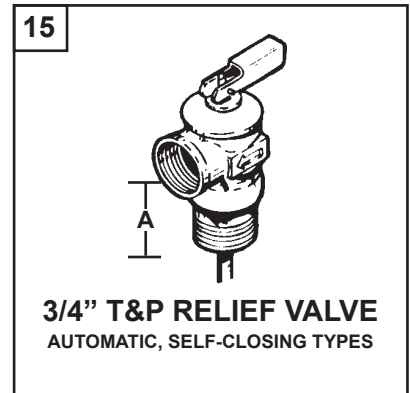
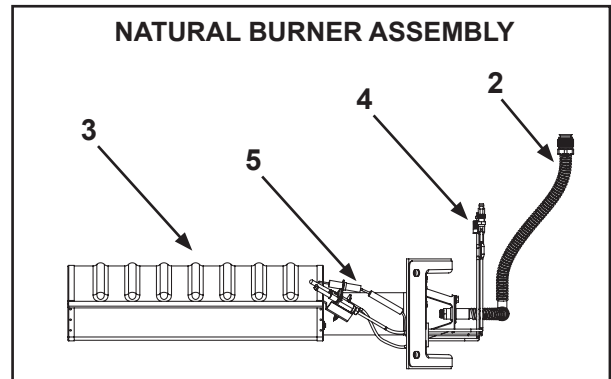
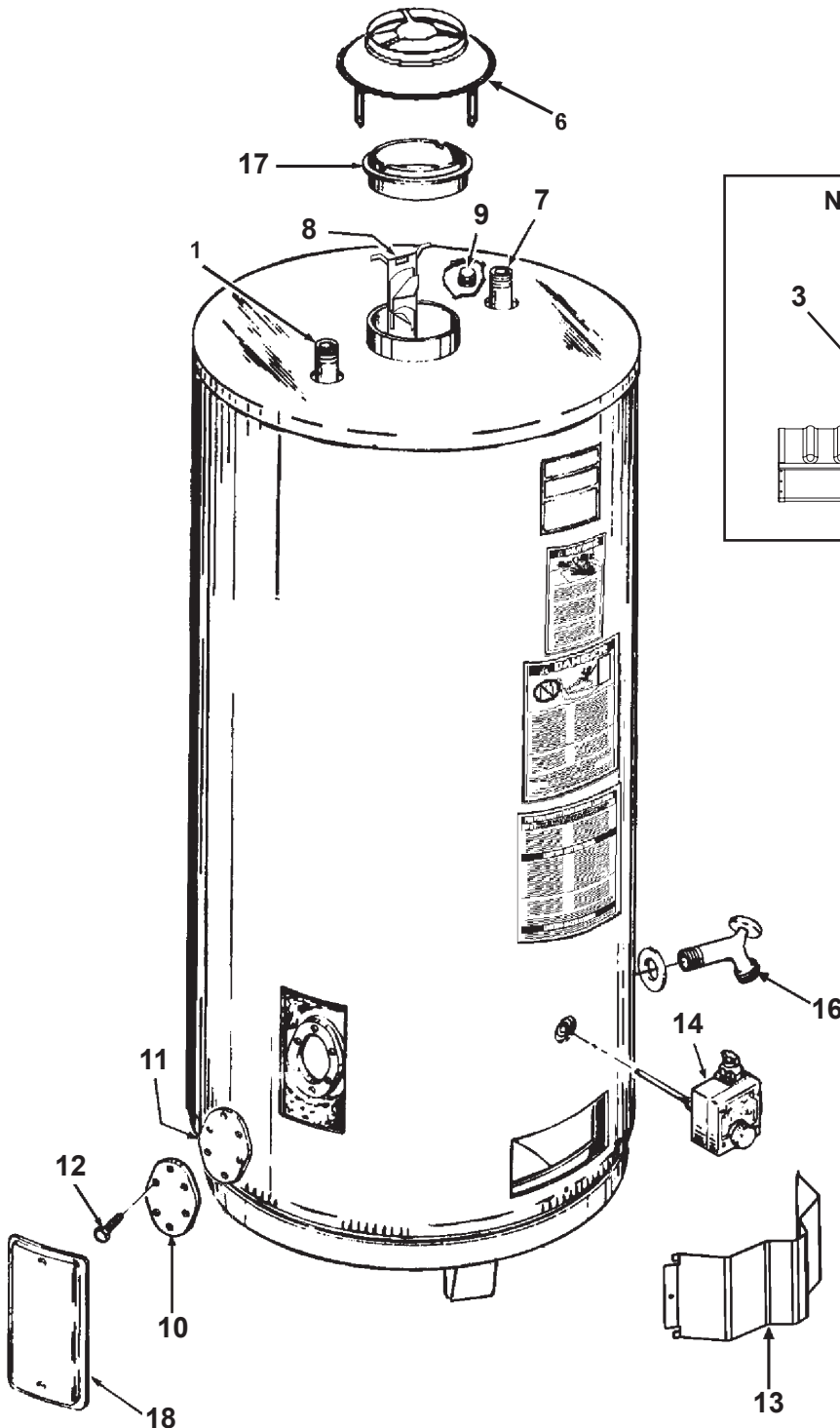


**MODEL: BCN3100T754NV**  
**SERIES 100**

P.O. Box 1597, Johnson City, TN 37605  
Phone: 800-456-9805 • Fax: 800-999-5210  
www.americanwaterheater.com



Item	Qty.	Parts Description	
1	1	Pipe Nipple	9003743015
2	1	Burner Manifold	9008850005
3	1	Burner	9008496005
4	1	Thermocouple	NA
5	1	Pilot Assembly	9008497005
6	1	Draft Hood	323943-000
7	1	Inlet Tube	9004095005
8	4	Flue Baffle Assembly	9008501005
9	1	Anode Rod	9003892005
10	1	Cleanout Cover	9005797205
11	1	Cleanout Gasket	9004099215
12	1	Cleanout Screw	.043760-001
13	1	Outer Door	NA
14	1	Thermostat	9008218005
15	1	T & P Relief Valve	9000728015
16	1	Drain Valve	9001870015
17	1	Flue Reducer	9003524005
18	1	Front Cover	9003900005



P.O. Box 1597, Johnson City, TN 37605  
 Phone: 800-456-9805 • Fax: 800-999-5210  
[www.americanwaterheater.com](http://www.americanwaterheater.com)