

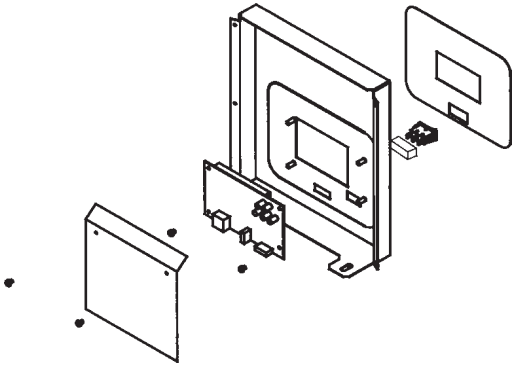


PO Box 1597, 500 Princeton Road  
Johnson City, TN 37605  
Phone: 1-800-456-9805  
www.americanwaterheater.com

# COMMERCIAL GAS SERVICE PARTS LIST

**MODELS:**  
AHCG/HCG-60T120 through AHCG/HCG-100T250

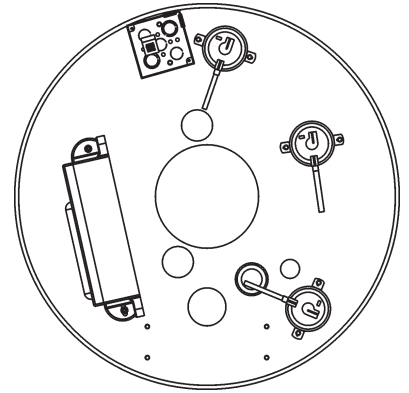
**DISPLAY CONTROL ASSEMBLY**  
See Page 2



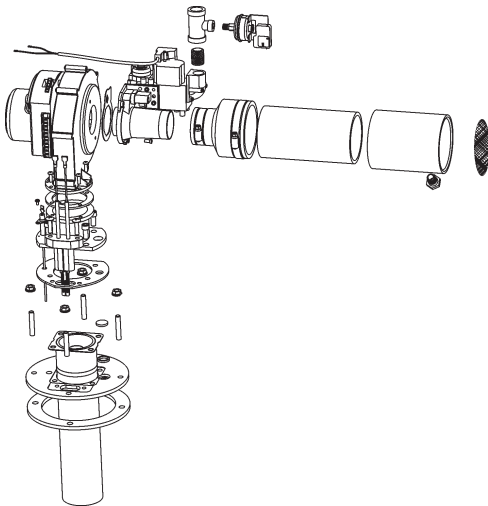
AHCG/HCG-60T120 through  
AHCG/HCG-100T250  
See Page 2



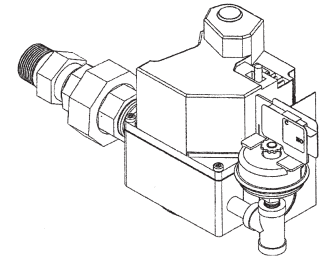
**INNER COVER CONTROL ASSEMBLY**  
See Page 3



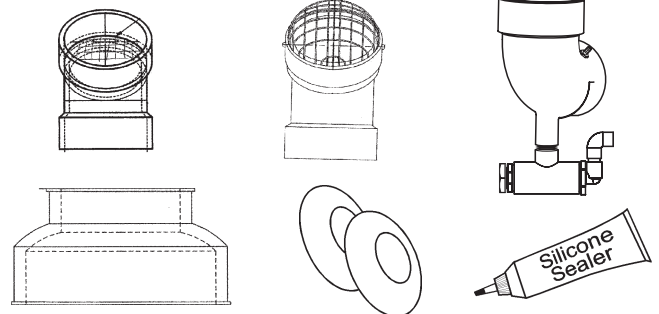
**BLOWER/BURNER ASSEMBLY**  
See Page 4 & 5



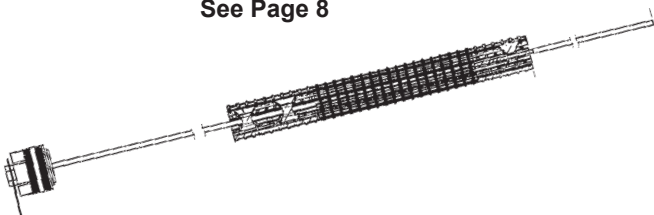
**GAS VALVE**  
See Page 6



**EXHAUST ELBOW ASSEMBLY - VENT KIT ASSEMBLY**  
See Page 7



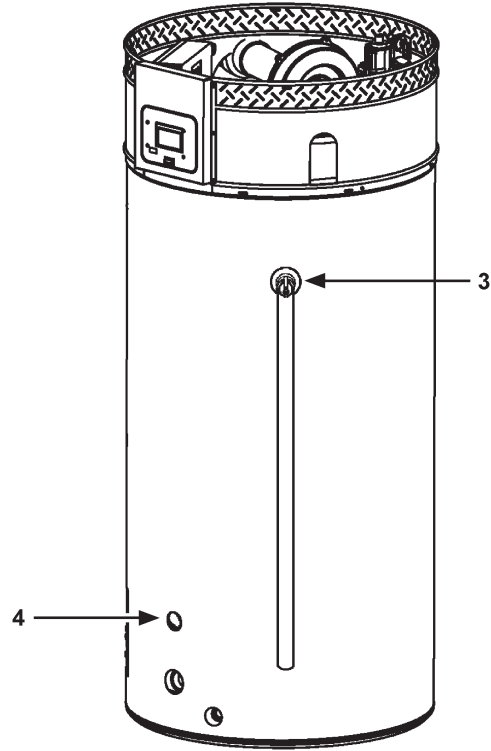
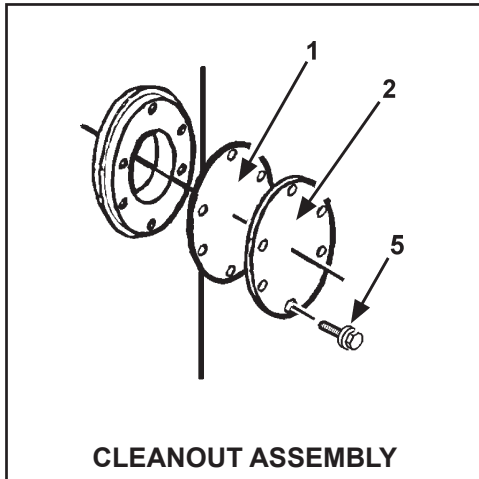
**ELECTRONIC ANODE**  
See Page 8



## CLEANOUT ASSEMBLY/TEMPERATURE & PRESSURE VALVE

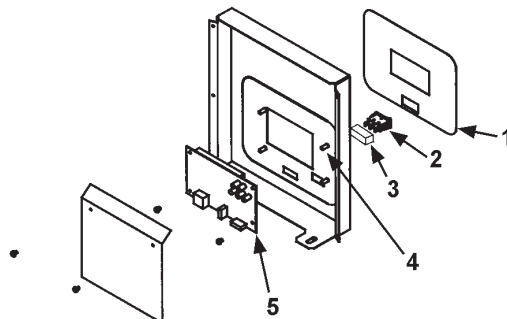
Item	Description	AHCG/HCG-60T120	AHCG/HCG-100T150	AHCG/HCG-100T199	AHCG/HCG-100T250
1	Cleanout Gasket.....	9004099015	9004099015	9004099015	9004099015
2	Cleanout Plate .....	9004098005	9004098005	9004098005	9004098005
3	T & P Valve .....	9005899205	9005899205	9005899205	9005903205
4	Lower Probe .....	9006242015	9006242015	9006242015	9006242015
5	Thread Forming Screws.....	9004100215	9004100215	9004100215	9004100215

Standard hardware items may be purchased locally.



## DISPLAY CONTROL ASSEMBLY

Item	Description	AHCG/HCG-60T100	AHCG/HCG-100T150	AHCG/HCG-100T199	AHCG/HCG-100T250
1	HCG Display Overlay.....	198068-000	198068-000	198068-000	198068-000
2	On/Off Switch.....	192699-000	192699-000	192699-000	192699-000
3	Switch Wire Connection.....	197758-000	197758-000	197758-000	197758-000
4	Display Panel.....				
5	User Interface Module - UIM.....	9006240005	9006240005	9006240005	9006240005



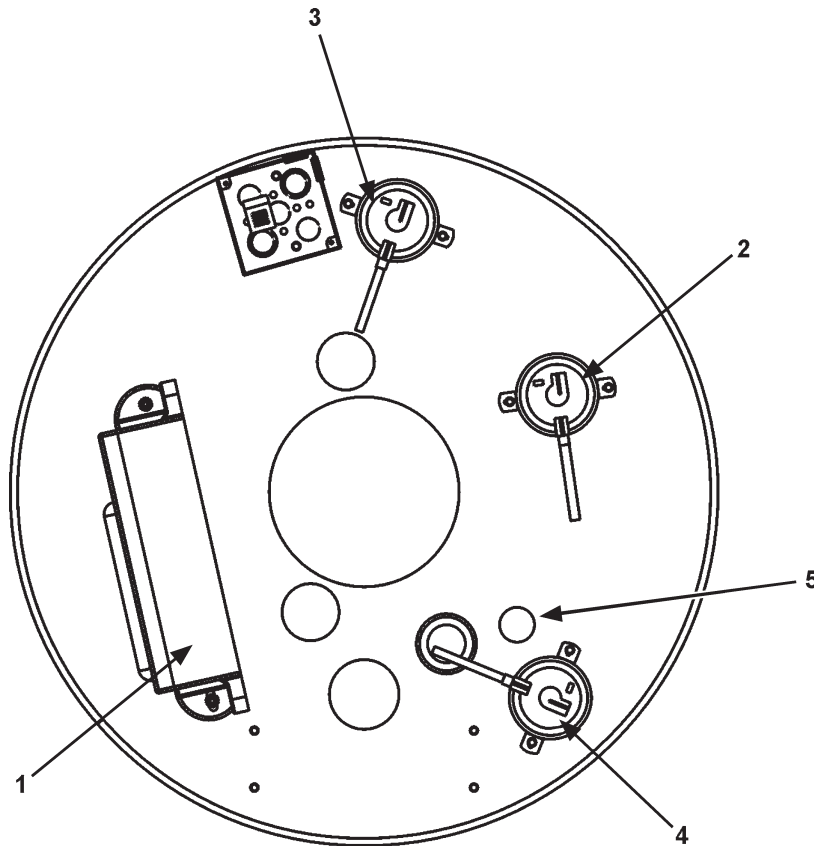
## INNER COVER CONTROL ASSEMBLY - AHCG/HCG-60T120 & 100T150

Item	Description	AHCG/HCG-60T120		AHCG/HCG-100T150	
		-3N (Nat)	-3P (Prop)	-3N (Nat)	-3P (Prop)
1	Controller.....	9006838005	9006842005	9006839005	9006843005
2	Switch-blower prover.....	9006280015	9006280015	9006280015	9006280015
3	Switch-blocked inlet.....	9006288015	9006281015	9006288015	9006281015
4	Switch-blocked outlet .....	9006287015	9006287015	9006289015	9006287015
5	Upper Probe.....	9004238215	9004238215	9004238215	9004238215

## INNER COVER CONTROL ASSEMBLY - AHCG/HCG-100T199 & 100T250

Item	Description	AHCG/HCG-100T199		AHCG/HCG-100T250	
		-3N (Nat)	-3P (Prop)	-3N (Nat)	-3P (Prop)
1	Controller.....	9006840005	9006844005	9006841005	9006845005
2	Switch-blower prover.....	9006280015	9006280015	9006280015	9006280015
3	Switch-blocked inlet.....	9006288015	9006281015	9006281015	9006281015
4	Switch-blocked outlet .....	9006289015	9006282015	9006282015	9006282015
5	Upper Probe.....	9004238215	9004238215	9004238215	9004238215

Standard hardware items may be purchased locally.

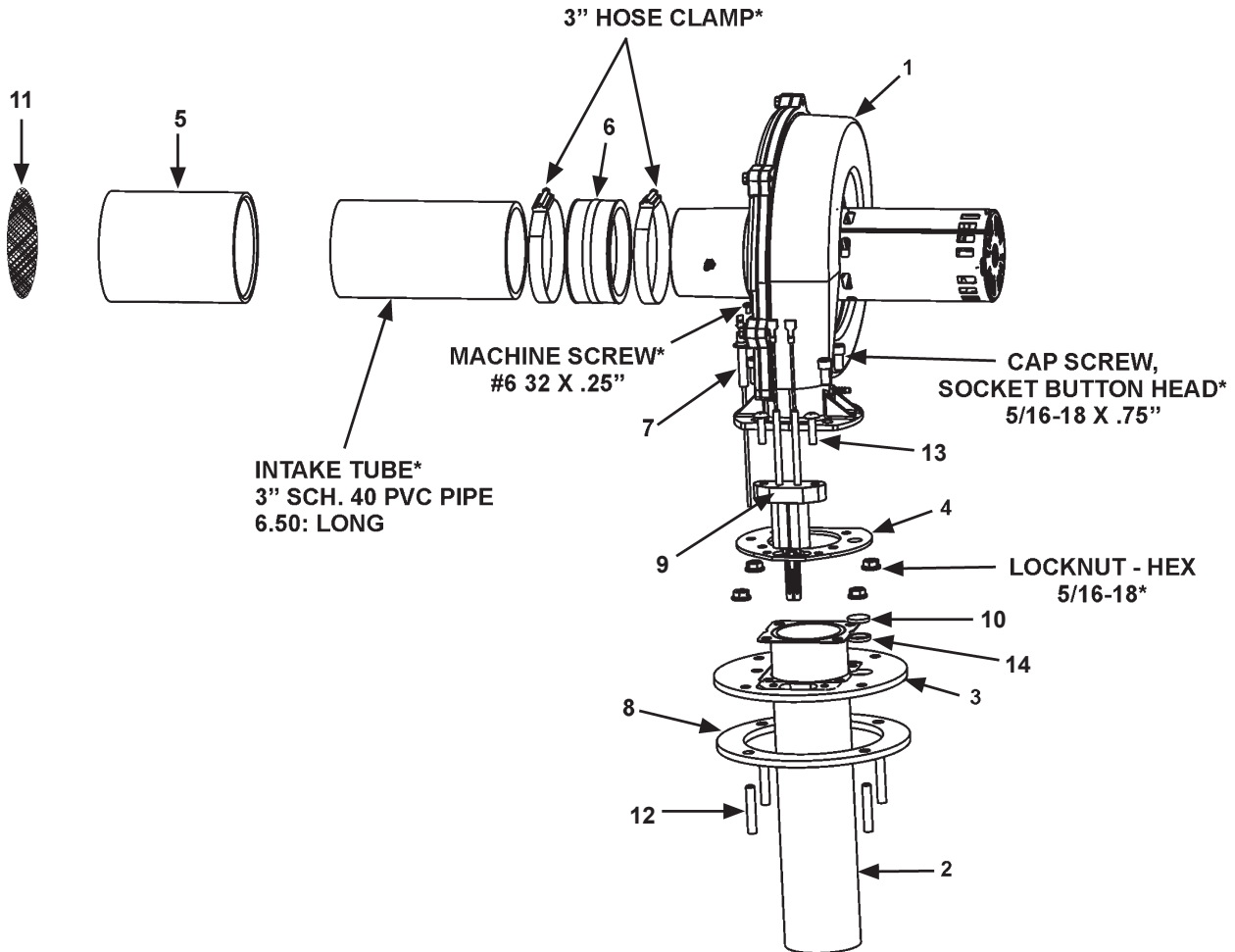


# BURNER/BLOWER ASSEMBLY - AHCG/HCG-60T120 & 100T150

AHCG/HCG-60T120

AHCG/HCG-100T150

Item	Description	-3N (Nat)	-3P (Prop)	-3N (Nat)	-3P (Prop)
1	Blower Assembly .....	9006272005.....	9006272005.....	9006273005.....	9006273005
2	Burner.....	9006275005.....	9006276005.....	9006277005.....	9006278005
3	Burner Flange.....	197932-000.....	197932-000.....	197932-000.....	197932-000
4	Burner Gasket.....	9006909005.....	9006909005.....	9006909005.....	9006909005
5	Condensate Tee.....	197624-001.....	197624-001.....	197624-001.....	197624-001
6	Coupling-Power Vent.....	9006107205.....	9006107205.....	9006107205.....	9006107205
7	Flame Sensor.....	9006106205.....	9006106205.....	9006106205.....	9006106205
8	Flange Gasket.....	9007138005.....	9007138005.....	9007138005.....	9007138005
9	Igniter .....	9006101205.....	9006101205.....	9006101205.....	9006101205
10	Observation Window .....	9006102215.....	9006102215.....	9006102215.....	9006102215
11	Mesh Wire Screen.....	9006027015.....	9006027015.....	9006027015.....	9006027015
12	Stud 5-16-18 x 1 3/4".....	196881-000.....	196881-000.....	196881-000.....	196881-000
13	Truss Hd Machine Screw 1/4-20 x1.00".....	194816-000.....	194816-000.....	194816-000.....	194816-000
14	Viewport Gasket.....	9006103215.....	9006103215.....	9006103215.....	9006103215

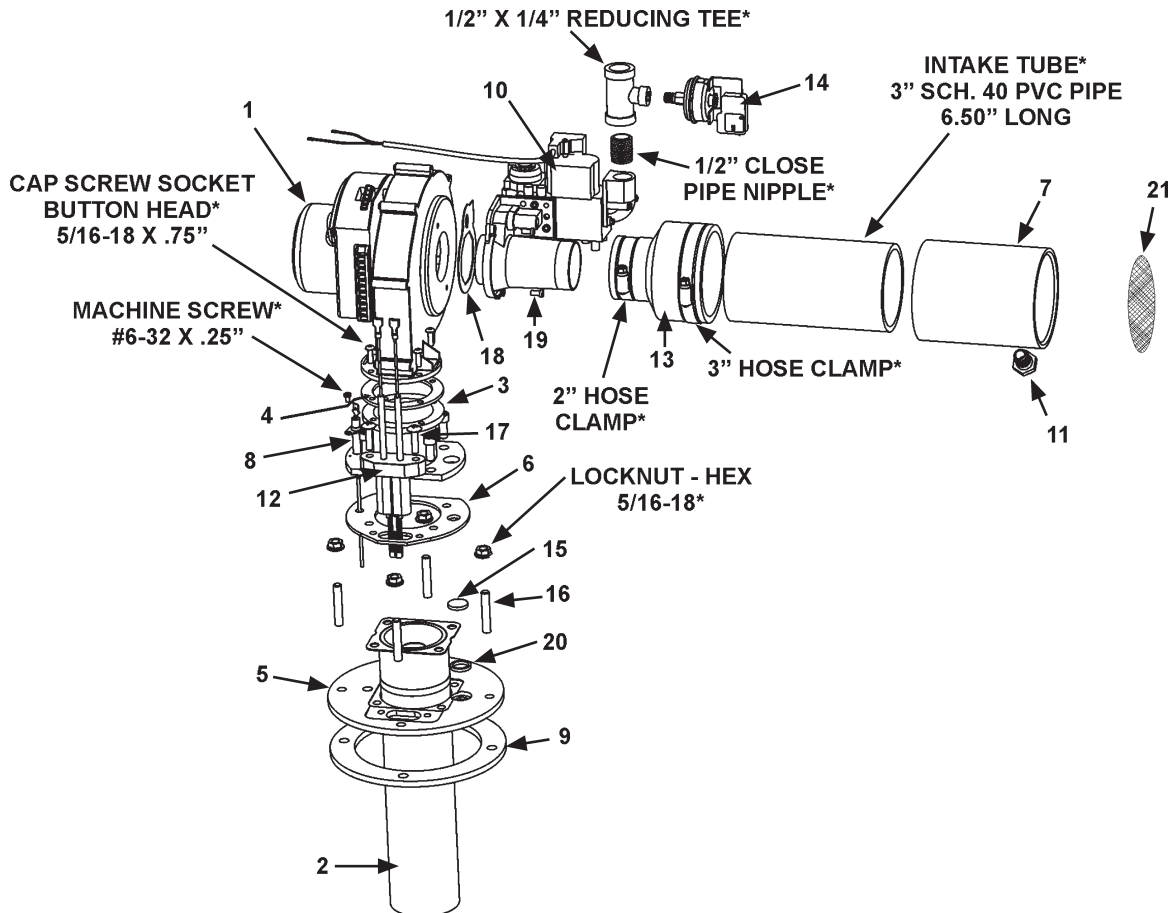


# BURNER/BLOWER ASSEMBLY - AHCG/HCG-100T199 & 100T250

AHCG/HCG-100T199 & 100T250

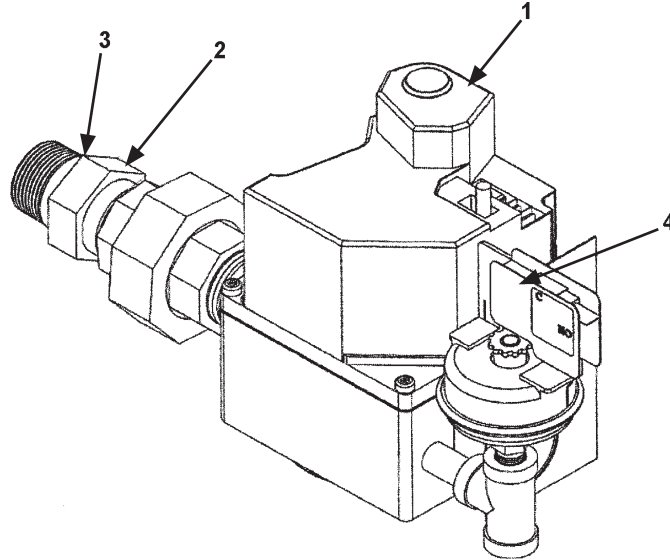
AHCG/HCG-100T199 & 100T250

Item	Description	-3N (Nat)	-3P (Prop)
1	Blower Assembly .....	9006274005 .....	9006274005
2	Burner.....	9006279005 .....	9008702005
3	Burner - Adapter.....	197607-000 .....	197607-000
4	Burner - Gasket A.....	9007139005 .....	9007139005
5	Burner Flange.....	197933-000 .....	197933-000
6	Burner - Gasket B.....	9006909005 .....	9008703015
7	Condensate Tee .....	197624-000 .....	197624-000
8	Flame Sensor.....	9006106205 .....	9006106205
9	Flange - Gasket.....	9007138005 .....	9007138005
10	Gas Valve - Venturi Assembly .....	9006285005 .....	9006286005
11	Hose Barb .....	181863-000 .....	181863-000
12	Igniter .....	9006101205 .....	9006101205
13	Intake Connector .....	197604-000 .....	197604-000
14	Switch-Low Gas Pressure .....	9006256015 .....	9006255015
15	Observation Window .....	9006102215 .....	9006102215
16	Stud 5/16-18 x 1 3/4".....	196881-000 .....	196881-000
17	Truss Hd Machine Screw 1/4-20 x 1.00 .....	194816-000 .....	194816-000
18	Venturi Gasket.....	197789-000 .....	197789-000
19	Venturi Mounting Screw .....	197790-000 .....	197790-000
20	Viewport Gasket.....	9006103215 .....	9006103215
21	Mesh Wire Screen.....	9006027015 .....	9006027015



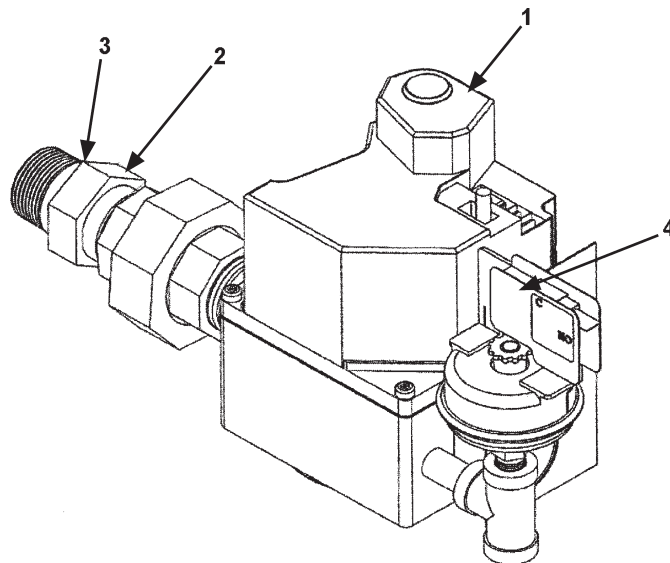
## GAS VALVE ASSEMBLY - AHCG/HCG-60T120

Item	Description	AHCG/HCG-60T120	AHCG/HCG-60T120
		-3N (Nat)	-3P (Prop)
1	Gas Valve .....	9004535205.....	9004536205
2	Orifice .....	9006259015.....	9006257015
3	Orifice Holder .....	9006094215.....	9006094215
4	Switch - Low Gas Pressure .....	9006256015.....	9006255015



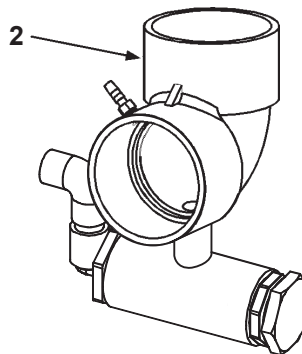
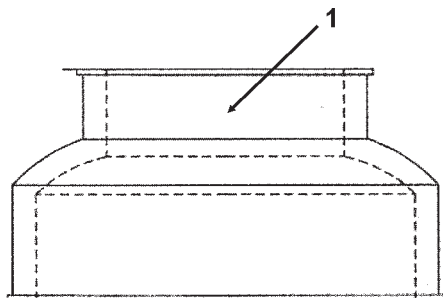
## GAS VALVE ASSEMBLY - AHCG/HCG-100T150

Item	Description	AHCG/HCG-100T150	AHCG/HCG-100T150
		-3N (Nat)	-3P (Prop)
1	Gas Valve .....	9006283005.....	9006284005
2	Orifice .....	9006260015.....	9006258015
3	Orifice Holder .....	9006094215.....	9006094215
4	Switch - Low Gas Pressure .....	9006256015.....	9006255015



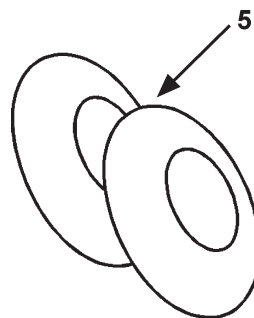
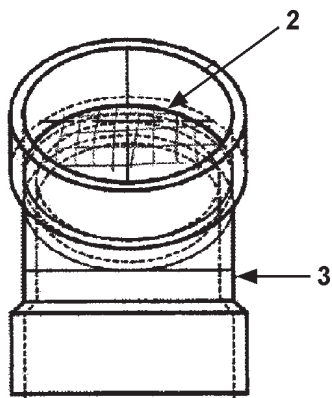
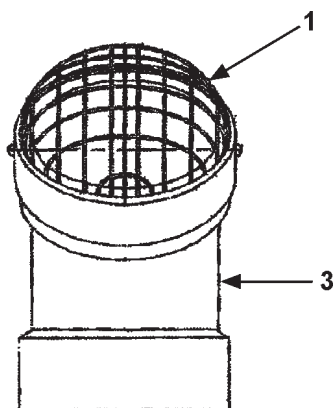
## EXHAUST CONNECTOR ASSEMBLY - AHCG/HCG-60T120 through 100T250

Item	Description	AHCG/HCG-60T120 - 100T250
1	Exhaust Connector.....	9006157205
2	Exhaust Elbow Assembly.....	9007245005



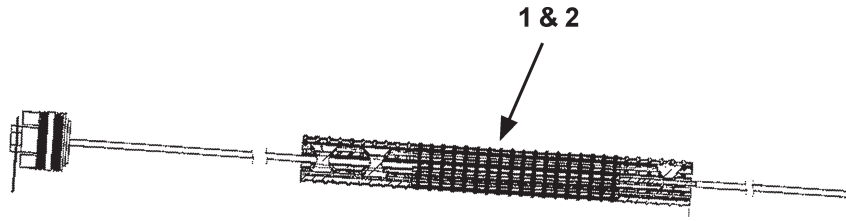
## VENT KIT ASSEMBLY - AHCG/HCG-60T120 through 100T250

Item	Description	AHCG/HCG-60T120 - 100T250
1	Exhaust Screen.....	9006027015
2	Intake - Screen Collar Assembly.....	182162-000
3	PVC 45 Degree Elbow.....	181901-000
4	Silicone.....	9004366105
5	Wall Plate.....	9004365105



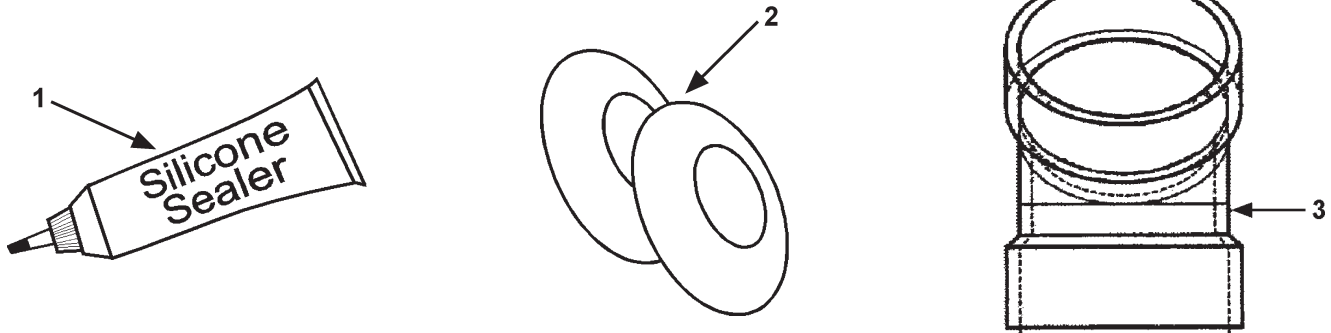
## ELECTRIC ANODE ASSEMBLY - AHCG/HCG-60T120 through 100T250

Item	Description	AHCG/HCG-60T120	AHCG/HCG-100T250
1	Electric Anode .....	.....	9006246005
2	Electric Anode .....	9006559005.....	9006247005



## OPTIONAL VENT KIT ASSEMBLY FOR 4" VENTING (ALL MODELS) 9006311005

Item	Description	AHCG/HCG-60T120 through 100T250
1	Silicone .....	.....
2	Wall Plate .....	.....
3	Vent Terminal Assembly 4" .....	.....



PO Box 1597, 500 Princeton Road  
 Johnson City, TN 37605  
 Phone: 1-800-456-9805  
[www.americanwaterheater.com](http://www.americanwaterheater.com)