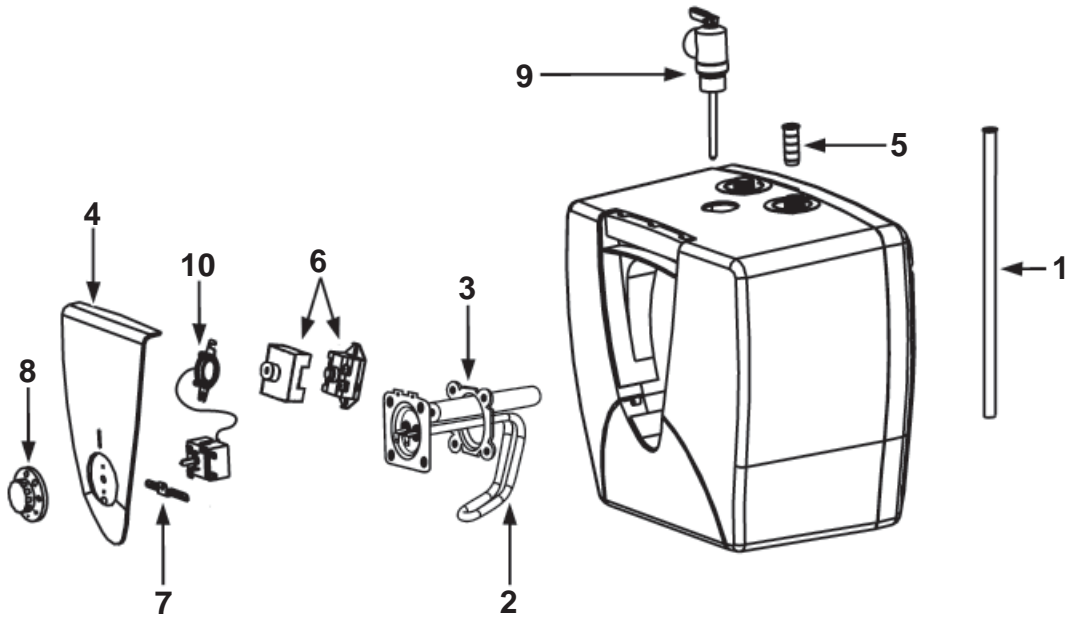




ELECTRIC

RESIDENTIAL WATER HEATER PARTS LIST
MODEL: E2.5



Item	Description	Kit Number
1.....	Dip Tube.....	9006567005
2.....	Element Assembly with Gasket, Anode Rod & Fasteners	9006405005
3.....	Element Gasket	9006401015
4.....	Front Panel	9006565005
5.....	Heat Trap	9006566015
6.....	High Limit Control Switch with Personnel Barrier	9006403015
7.....	Mounting Bracket.....	9006564015
8.....	Temperature Control Knob.....	9006400015
9.....	Temperature-Pressure Relief (T&P) Valve.....	9000071015
10.....	Temperature Sensor and Thermostat	9006402015

To order service parts noted on this page, please call the customer support number found on the data plate. The data plate is located adjacent to the T&P valve at the top of your water heater.