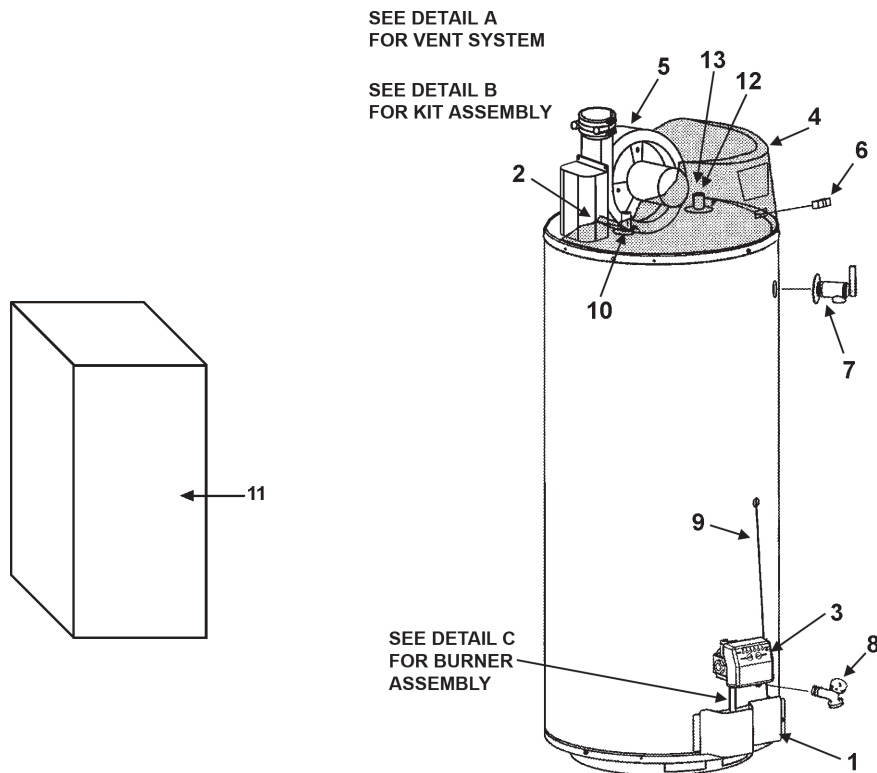


RESIDENTIAL WATER HEATERS
REPLACEMENT PARTS LIST
MODELS VG6250T76NV 100



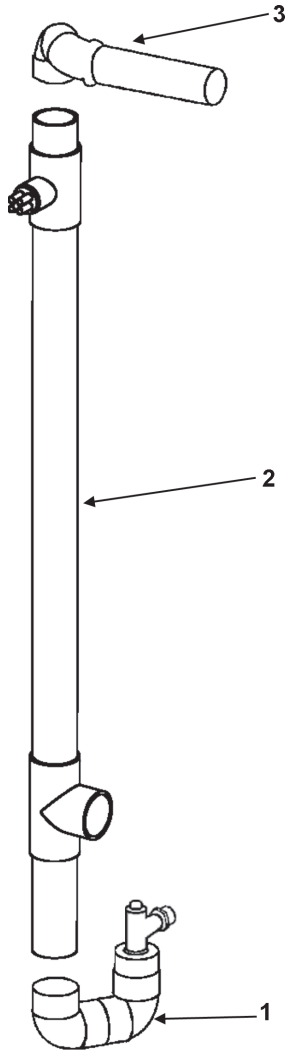
Item	Description	Kit Number
1	Outer Door	9003545005
2	Aluminum Anode	9003892005
2	Magnesium Anode	9001829005
3	Intellivent Control	9005964005
4	Plastic Top	9007736005
5	Blower Assembly (Standard)	9006683005
5	Blower Assembly (High Altitude)	9006684005*
6	Switch and Harness Assembly (Standard)	9006685005
6	Switch and Harness Assembly (High Altitude)	9006686005*
7	T & P Valve	9000728015
8	Drain Valve	9003906015
9	Wiring Harness	9005725015
10	Aluminum Anode - Outlet	9004257005
10	Magnesium Anode - Outlet	9003934005
11	Vent Attenuation Assembly Kit	9005982205
12	Inlet Tube	9005983205
13	2" x 3/4" NPT Nipple	9003719015

* For use at elevations above 5,300 feet (1,615 m).

American Water Heater
Product Service and Support
PO Box 1597, 500 Princeton Road
Johnson City, TN 37605

VENT PIPE ASSEMBLY

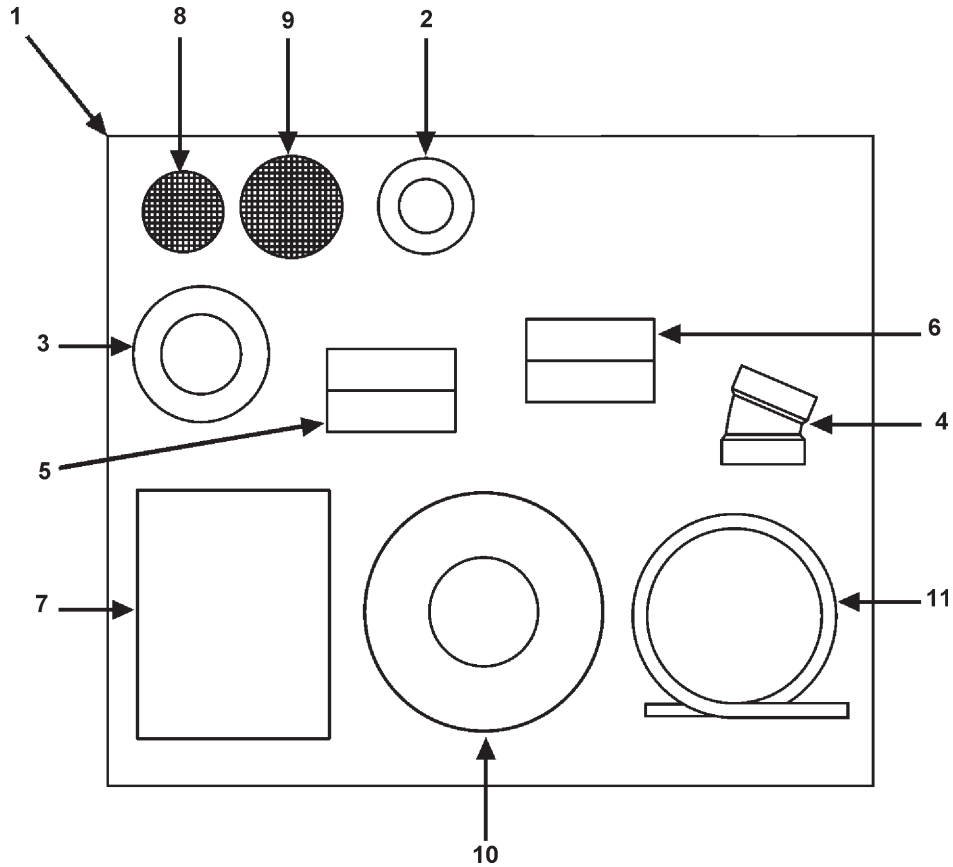
DETAIL A



Item	Description	Kit Number
1	Vent Pipe Assembly #1	9005984205
2	Vent Pipe Assembly #2	9005985205
3	Vent Pipe Assembly #3	9005986205

ENVELOPE WITH PARTS

DETAIL B

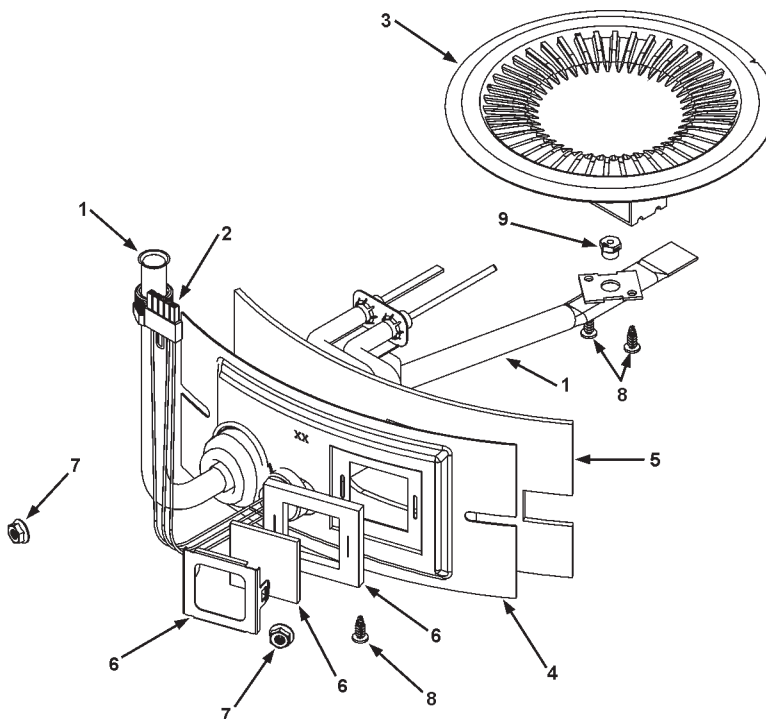


Note: Parts are not drawn to scale.

Item	Description	Kit Number
1	Vent Kit with All Components	9006334005
2	Wall Plate 2"	Included in Kit
3	Wall Plate 3"	Included in Kit
4	Screen and Vent Terminal Assembly	Included in Kit
5	Instruction Tag-Wire Screen F/E 3"	Included in Kit
6	Instruction Tag-Wire Screen F/E 4"	Included in Kit
7	Instruction Sheet	Included in Kit
8	Wire Screen 3"	Included in Kit
9	Wire Screen 4"	Included in Kit
10	Wall Plate 4"	Included in Kit
11	Flexible Tubing	Included in Kit

BURNER ASSEMBLY

DETAIL C



Item	Description	Kit Number
1	Burner Tube Assembly	9005988205
2	Hot Surface Ignitor	9005989205
3	Burner Head Assembly	9005990205
4	Embossed Inner Door	9005991205
5	Insulation - Inner Door	9003401005
6	Viewport Assembly	9003414005
7	Nut - Serrated Hex Flange #10-32	Available from Local Hardware Supplier
8	Screw - Sheet Metal, 1/2" Long, # 8-15	Available from Local Hardware Supplier
9	Orifice - Burner*	9005992005

***Note:** This Burner Orifice size is only for altitudes less than 10,100'. Contact the water heater manufacturer for higher altitudes.



www.americanwaterheater.com

American Water Heater
 Product Service and Support
 PO Box 1597, 500 Princeton Road
 Johnson City, TN 37605