



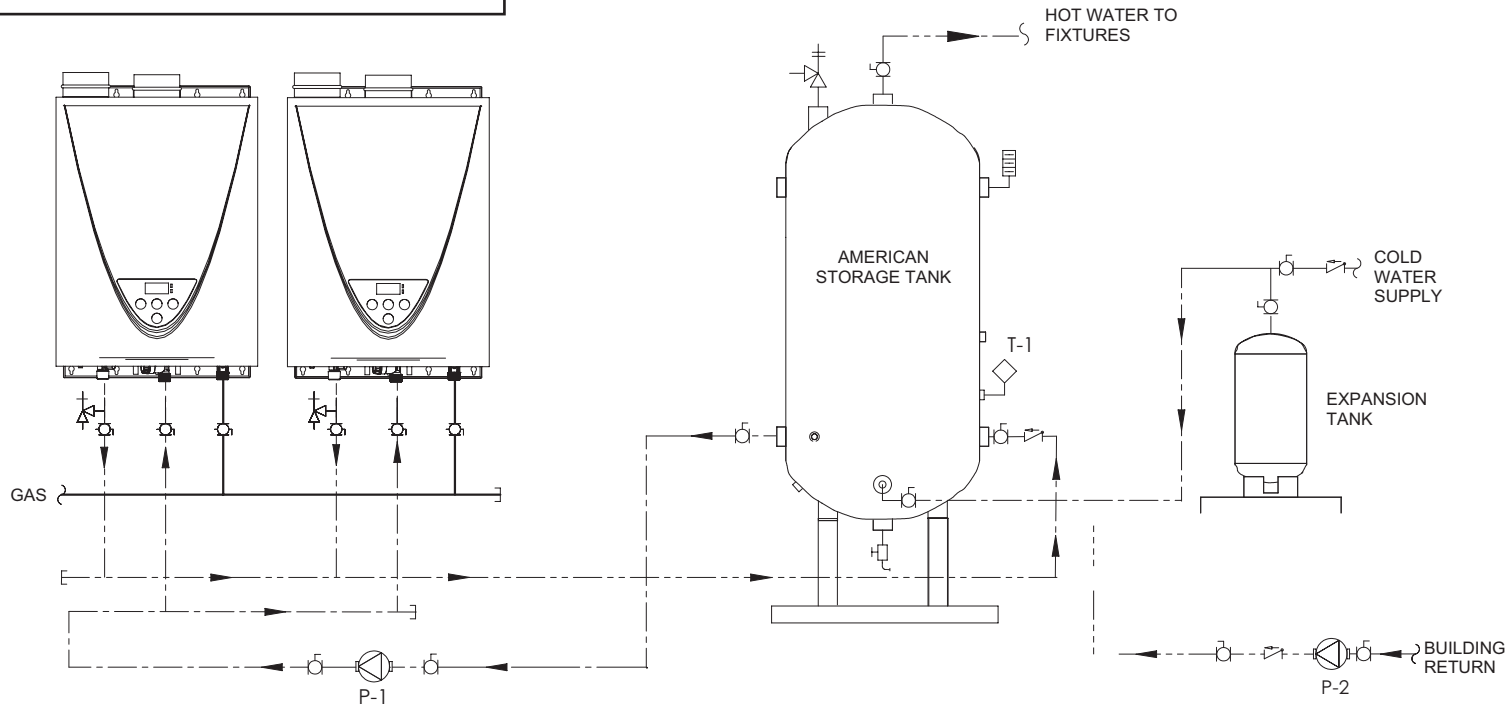
MCT-199 - TWO WATER HEATERS, ONE STORAGE TANK WITH RECIRCULATION

WARNING: THIS DRAWING SHOWS SUGGESTED PIPING CONFIGURATION AND OTHER DEVICES; CHECK WITH LOCAL CODES AND ORDINANCES FOR ADDITIONAL REQUIREMENTS.

DRAWING SHOWS INDOOR UNITS. OUTDOOR UNITS ARE PIPED IN THE SAME MANNER.

LEGEND

	TEMPERATURE & PRESSURE RELIEF VALVE		FULL PORT BALL VALVE	---	COLD
	PRESSURE RELIEF VALVE		TEMPERATURE GAGE	---	HOT
	CIRCULATING PUMP		CHECK VALVE	---	BUILDING RETURN
	TEMPERATURE CONTROL PROBE		WATER FLOW SWITCH	---	GAS
	DRAIN				



NOTES:

1. The tank pump, P-1, should provide 5 GPM per heater at 25' TDH for best capacity and efficiency (losses for piping not included). The pump should be controlled by an aquastat, T-1, having an adjustable differential set to a minimum of 15 F. The best efficiency will be achieved by using the largest differential that delivers acceptable storage temperature in the tank.
2. Building recirculation pump, P-2, to be sized, installed, and controlled by the installer.
3. Installation of a device to minimize scale deposits, such as the Product Preservers®, water softener, etc. should be considered. Refer to the heater's installation manual for additional information and/or consult with a local water quality expert.
4. Gas supply line shall be sized per the heater's installation manual and the current edition of ANSI Z223.1/NFPA 54.
5. Automatic air vent should be installed at the highest point in the system for all installations using a circulation pump.